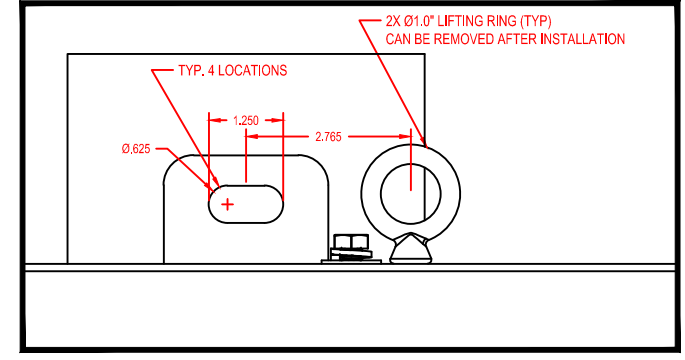
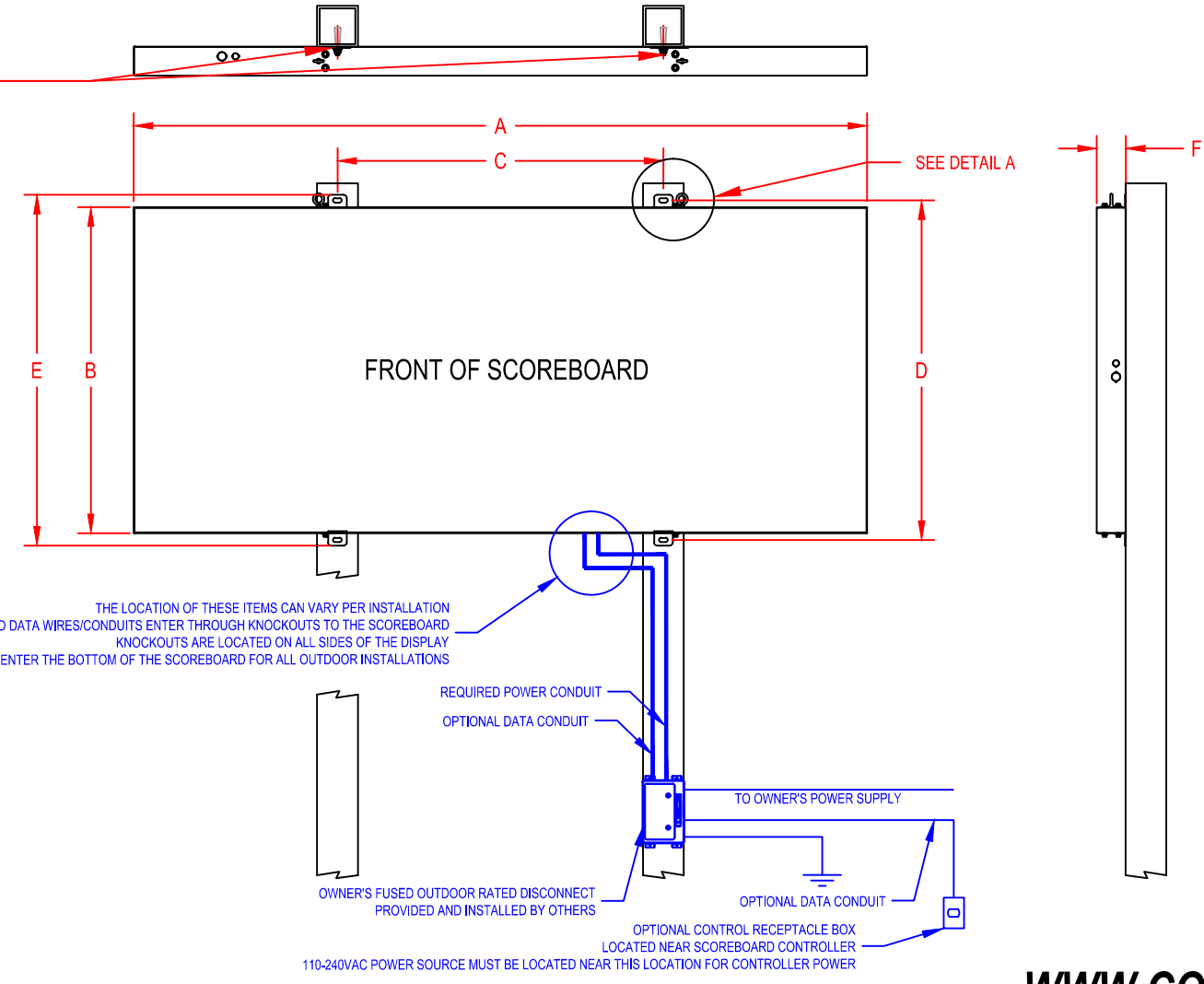


DISPLAY	MODEL NUMBERS	A	B	C	D	E	F	HANGING WEIGHT	MAX POWER CONSUMPTION
BB-1100	MS-0016,MS-0017,MS-0018	108.00" 2.743m	84.00" 2.134m	48.00" 1.219m	86.00" 2.184m	87.60" 2.225m	4.25" 0.108m	180 LBS 82 KG	275 W
BB-1101	MS-0010,MS-0011,MS-0012	108.00" 2.743m	48.00" 1.219m	48.00" 1.219m	50.00" 1.270m	51.60" 1.311m	4.25" 0.108m	120 LBS 54 KG	175 W
BB-1102	MS-0022,MS-0023,MS-0024	132.00" 3.353m	36.00" 0.914m	60.00" 1.524m	38.00" 0.965m	39.60" 1.006m	4.25" 0.108m	110 LBS 50 KG	90 W
BB-1103	MS-0049,MS-0050,MS-0051	108.00" 2.743m	76.00" 1.930m	48.00" 1.219m	78.00" 1.981m	79.60" 2.022m	4.25" 0.108m	170 LBS 77 KG	231 W
BB-1104	MS-0052,MS-0053,MS-0054	108.00" 2.743m	76.00" 1.930m	48.00" 1.219m	78.00" 1.981m	79.60" 2.022m	4.25" 0.108m	170 LBS 77 KG	231 W
BK-1300	MS-0007,MS-0008,MS-0009	108.00" 2.743m	60.00" 1.524m	48.00" 1.219m	62.00" 1.575m	63.60" 1.615m	4.25" 0.108m	150 LBS 68 KG	230 W
BK-1301	MS-0001,MS-0002,MS-0003	108.00" 2.743m	36.00" 0.914m	48.00" 1.219m	38.00" 0.965m	39.60" 1.006m	4.25" 0.108m	90 LBS 41 KG	150 W
BK-1302	MS-0046	42.00" 1.067m	60.00" 1.524m	36.10" 0.917m	62.00" 1.575m	63.60" 1.615m	4.25" 0.108m	120 LBS 54 KG	110 W
CM-1403	MS-0004,MS-0005,MS-0006	108.00" 2.743m	24.00" 0.610m	48.00" 1.219m	26.00" 0.660m	27.60" 0.701m	4.25" 0.108m	75 LBS 34 KG	80 W
CM-1404	MS-0013,MS-0014,MS-0015	108.00" 2.743m	36.00" 0.914m	48.00" 1.219m	38.00" 0.965m	39.60" 1.006m	4.25" 0.108m	120 LBS 54 KG	130 W
CM-1405	MS-0047,MS-0048	108.00" 2.743m	28.00" 0.711m	48.00" 1.219m	30.00" 0.762m	31.60" 0.803m	4.25" 0.108m	85 LBS 39 KG	85 W
FB-1200	MS-0025,MS-0026,MS-0027	132.00" 3.353m	86.00" 2.184m	60.00" 1.524m	88.00" 2.235m	89.60" 2.276m	4.25" 0.108m	220 LBS 100 KG	330 W
FB-1201	MS-0019,MS-0020,MS-0021	132.00" 3.353m	50.00" 1.270m	60.00" 1.524m	52.00" 1.321m	53.60" 1.361m	4.25" 0.108m	140 LBS 64 KG	245 W
HK-1600	MS-0091-93 & MS-0094-96	108.00" 2.743m	73.50" 1.867m	48.00" 1.219m	38.00" 0.965m	77.10" 1.958m	4.25" 0.108m	195 LBS 88 KG	160 W
HK-1601	MS-0091,MS-0092,MS-0093	108.00" 2.743m	36.00" 0.914m	48.00" 1.219m	38.00" 0.965m	39.60" 1.006m	4.25" 0.108m	90 LBS 41 KG	115 W
HK-1602	MS-0094,MS-0095,MS-0096	108.00" 2.743m	37.50" 0.953m	48.00" 1.219m	38.00" 0.965m	41.10" 1.044m	4.25" 0.108m	105 LBS 48 KG	145 W
LX-1800	MS-0019-21 & MS-0097-98	132.00" 3.353m	98.00" 2.489m	60.00" 1.524m	100.00" 2.540m	101.60" 2.581m	4.25" 0.108m	140 LBS 64 KG	400 W
LX-1801	MS-0097,MS-0098,MS-0099	132.00" 3.353m	48.00" 1.219m	60.00" 1.524m	50.00" 1.270m	51.60" 1.311m	4.25" 0.108m	150 LBS 68 KG	150 W

- NOTES:**
- POWER AND DATA CABLES MUST BE ROUTED IN SEPARATE CONDUIT
 - CTS SUGGESTS 3/4" CONDUIT FOR ALL BURIED CABLE
 - CTS PROVIDES 15' POWER CABLE WITH A NEMA 5-15R PLUG. THIS CABLE MUST BE TERMINATED INSIDE DISPLAY ACCORDING TO THE INSTALLATION INSTRUCTIONS. IF POWER WIRES ARE HARDWIRED DIRECTLY TO DISPLAY DISCARD AND RECYCLE THIS POWER CABLE. THIS CABLE IS ONLY TO BE USED IN EITHER INDOOR APPLICATIONS OR OUTDOOR APPLICATIONS IN CONJUNCTION WITH AN OUTDOOR RATED RECEPTACLE.
 - ALL DATA CONDUITS, JUNCTIONS, AND WIRES ARE OPTIONAL. WIRELESS IS STANDARD ON ALL DISPLAYS
 - WIRED OPTION EQUIPMENT MUST BE ORDERED SEPARATELY
 - ALL ATTACHMENT HARDWARE TO BE PROVIDED BY OTHERS
 - LIFTING RINGS TO BE USED FOR INSTALLATION ONLY -NOT FOR PERMANENT MOUNTING
 - CTS ASSUMES NO RESPONSIBILITY FOR INSTALLATIONS DONE BY OTHERS
 - THIS SIGN IS INTENDED TO BE INSTALLED IN ACCORDANCE WITH THE REQUIREMENTS OF ARTICLE 600 OF THE NATIONAL ELECTRIC CODE AND/OR OTHER APPLICABLE CODES. THIS INCLUDES PROPER GROUNDING AND BONDING OF THE SCOREBOARD
 - ALL COLUMN AND FOOTING DETAILS TO BE SPECIFIED BY OTHERS

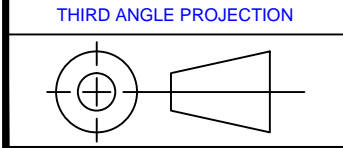
USE APPROPRIATE ATTACHMENT HARDWARE FOR SCOREBOARD SUBSTRUCTURE SPECIFIED AND APPROVED BY OTHERS
 OPTIONAL MOUNTING KITS ARE AVAILABLE FOR VARIOUS INSTALLATIONS - CONSULT CTS FOR MORE DETAILS



DETAIL A
NTS

REV	DESCRIPTION	DATE	APP
A	RELEASE FOR INFORMATION	2/14/13	ERS

REVISIONS



TRADE SECRET

The information and data contained herein is secret and is submitted in confidence, and shall not be disclosed, used, or duplicated for any purpose whatsoever without the prior written permission of Colorado Time Systems, Inc., 1551 E. 11th Street, Loveland Colorado, 80537. This legend shall be marked on any reproduction hereof in whole or in part. Receipt of this document shall be deemed to be an acceptance of the conditions specified herein.

THE INFORMATION ON THIS DRAWING IS SUBJECT TO CHANGE WITHOUT NOTICE

DIMENSIONS ARE REPRESENTED AS FOLLOWS: INCH (MM)	
TOLERANCES EXCEPT AS NOTED	
INCHES	MM
X ± 0.02	X ±
ANGLES ± 1	
DO NOT SCALE THIS DRAWING	
SCALE 1/8" = 1'	SHEET 1 OF 1

DRAWN BY E. SOLANYK	DATE 2/14/13
ENG. APPROVAL	DATE
PROJECT ENG.	DATE

TITLE MULTISPORT SCBD'S POLEMOUNT DETAILS

WWW.COLORADOTIME.COM

1551 E. 11th. St.
 Loveland, CO 80537
 P: (970) 667-1000
 F: (970) 667-5876
 WWW.COLORADOTIME.COM

SIZE B	DRAWING NUMBER S2013-001-003	REV. A
-----------	---------------------------------	-----------