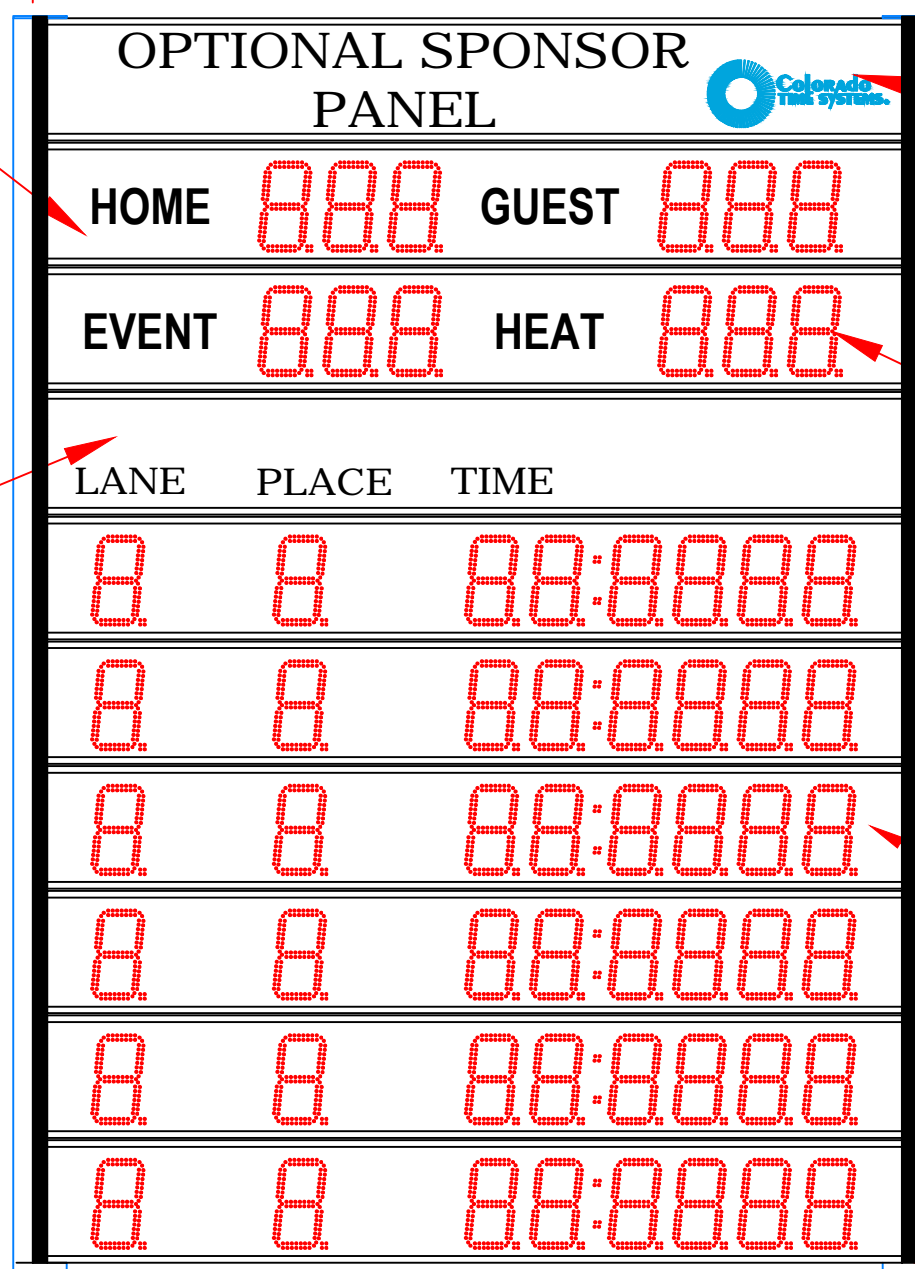


8 7 6 5 4 3 2 1

BILL OF MATERIAL				
ITEM	QTY	DESCRIPTION	CTS P/N	MFG P/N

HOME/GUEST 6-DIGIT SCOREBOARD DISPLAY
1 REQUIRED
P/N: LED6-HG
(BY COLORADO TIME SYSTEMS)
WEIGHT 40lbs EACH

8'-3 1/4"
[2.52M]

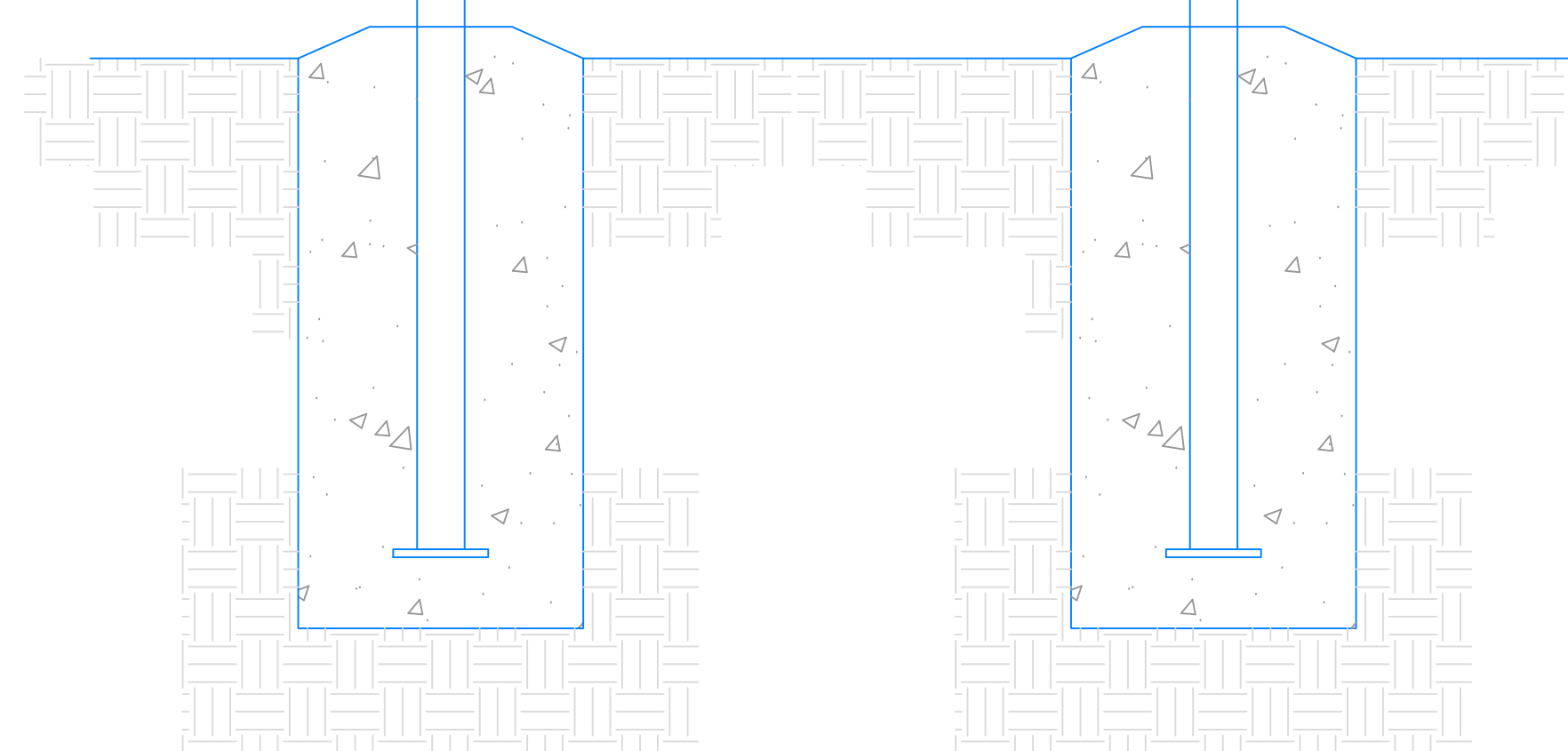


OPTIONAL SPONSOR PANEL
SPONSOR PANEL ASSEMBLY
2 REQUIRED
P/N: SP-LED WITH OPTIONAL ARTWORK
(BY COLORADO TIME SYSTEMS)
WEIGHT 26lbs EACH

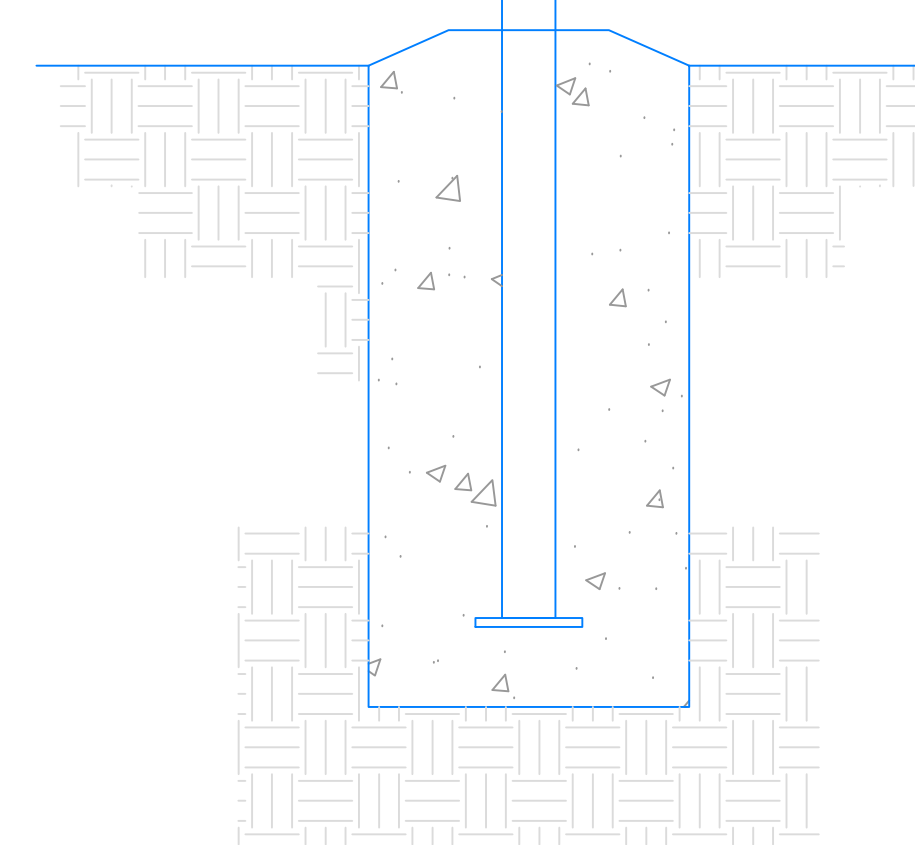
EVENT/HEAT 6-DIGIT SCOREBOARD DISPLAY
1 REQUIRED
P/N: LED6-EH
(BY COLORADO TIME SYSTEMS)
WEIGHT 40lbs EA

LANE PLACE TIME 8-DIGIT SCOREBOARD DISPLAY
6 REQUIRED
P/N: LEDR
(BY COLORADO TIME SYSTEMS)
WEIGHT 40lbs EA

LANE PLACE TIME SCOREBOARD DISPLAY
P/N: SP-LED WITH LN/PL/TIME
(BY COLORADO TIME SYSTEMS)
WEIGHT 26lbs EACH

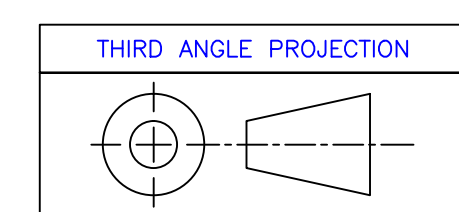


FRONT VIEW



SIDE VIEW

- NOTES:
- TOTAL WEIGHT - 372 LBS - INCLUDES DISPLAY PORTION ONLY
 - DIMENSIONS ARE APPROXIMATE AND ARE SUBJECT TO CHANGE DUE TO DETAILED DESIGN CONSIDERATIONS
 - THIS DRAWING FOR DESIGN ONLY - PLEASE CONSULT CTS PRIOR TO ANY FABRICATION/INSTALLATION
 - ONLY APPROVED SHOP DRAWINGS SHOULD BE USED FOR CONSTRUCTION
 - ALL CONSTRUCTION AND FABRICATION MUST MEET ALL APPLICABLE LOCAL, STATE, AND NATIONAL CODES
 - ALL ON-SITE WORK TO BE DONE IN ACCORDANCE WITH OSHA AND ALL LOCAL CODES THAT APPLY
 - CTS PROVIDES DISPLAY, UNISTRUT, AND BRACKETING - ALL OTHER STRUCTURAL COMPONENTS AND FABRICATION MUST BE PROVIDED BY OTHER



UNLESS OTHERWISE SPECIFIED:
VARIATIONS IN FORM FOR UNMACHINED FEATURES ARE PERMITTED WITHIN ESTABLISHED COMMERCIAL STANDARDS. ALL EDGES AND CORNERS 0.005-0.020 (APPROX RADIUS OR CHAMFER) - ALL FILETS 0.005-0.020 (APPROX RADIUS) - SCREW THREADS PER ANSI B1.1 - PIPE THREADS PER ANSI B1.1 - SURFACE ROUGHNESS PER ANSI B46.1 - SURFACE ROUGHNESS ON HOLES 250 MAX

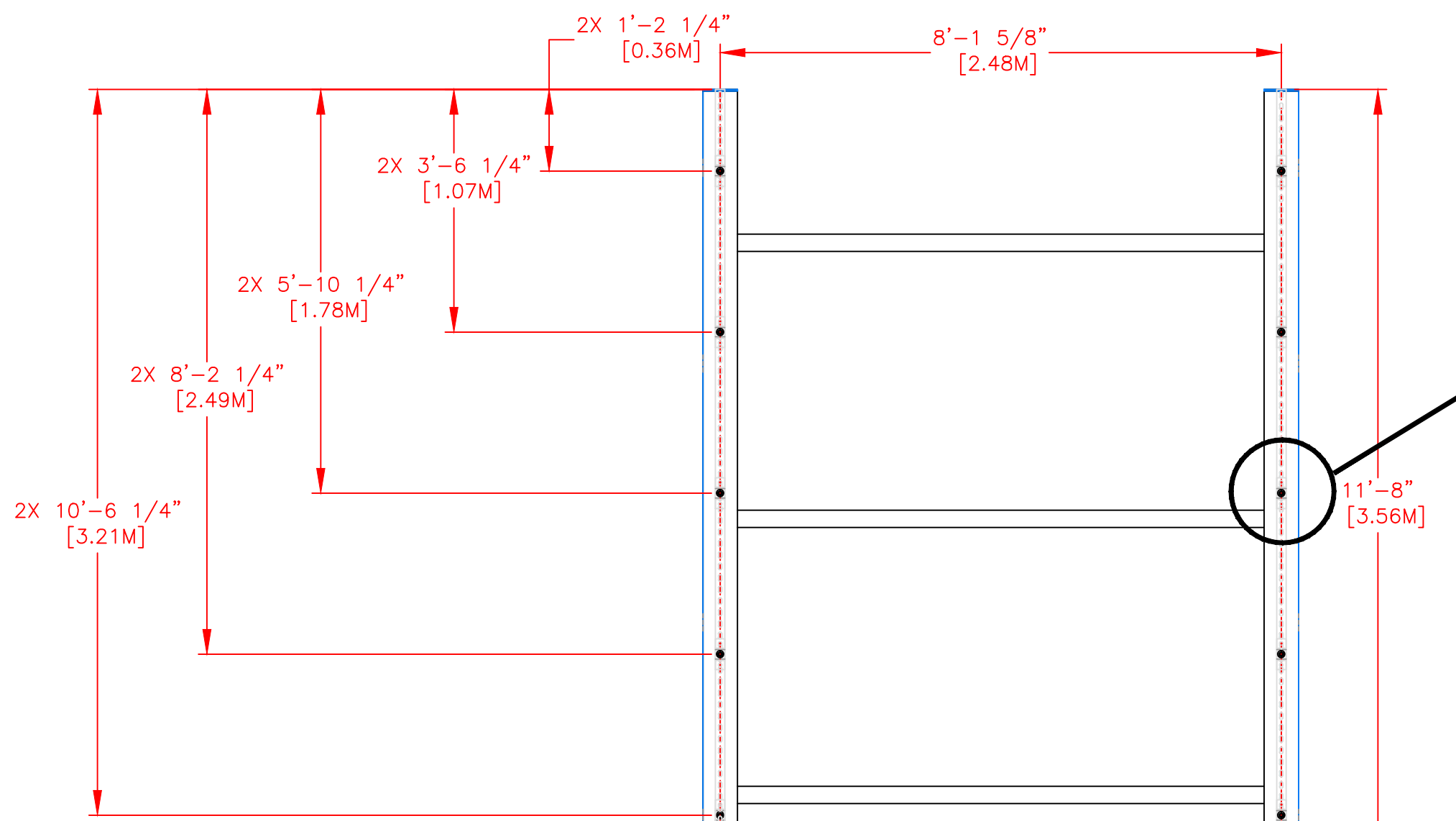
REV	DESCRIPTION	ECO/PCO #	DATE	ERS APPROVED
A	INITIAL RELEASE		8/9/12	ERS

<p>ALL DIMS IN INCHES UNLESS OTHERWISE NOTED INCH [MM] 1 INCH = 25.4MM TOLERANCES EXCEPT AS NOTED</p> <p>INCHES .X ± N/A .XX ± N/A .XXX ± N/A MM .X ± .XX ±</p> <p>ANGLES ± 1°</p> <p>MATERIAL SEE BILL OF MATERIAL FINISH</p>	<p>DRAWN BY C. CARR DATE 8/9/12 ENG. APPROVAL PROJECT ENG.</p> <p>DO NOT SCALE THIS DRAWING</p> <p>TRADE SECRET</p> <p>The information and data contained herein is secret and is submitted in confidence, and shall not be disclosed, used, or duplicated for any purpose whatsoever without the prior written permission of Colorado Time Systems, Inc., 1551 E. 11th Street, Loveland, Colorado, 80537. This legend shall be printed on any reproduction hereof in whole or in part. Receipt of this document shall be deemed to be an acceptance of the conditions specified herein.</p>	<p>1551 E. 11th St. Loveland, CO 80537 P: (970) 667-1000 F: (970) 667-5876</p> <p>TITLE 6 LANE SWIM 2-POLE SCBD LAYOUT</p> <p>NEXT ASSEMBLY</p> <p>SIZE D DRAWING NUMBER 06-1-2-10-005 SCALE 1/2"=1' SHEET 1 OF 3</p>
--	--	---

8 7 6 5 4 3 2 1

8 7 6 5 4 3 2 1

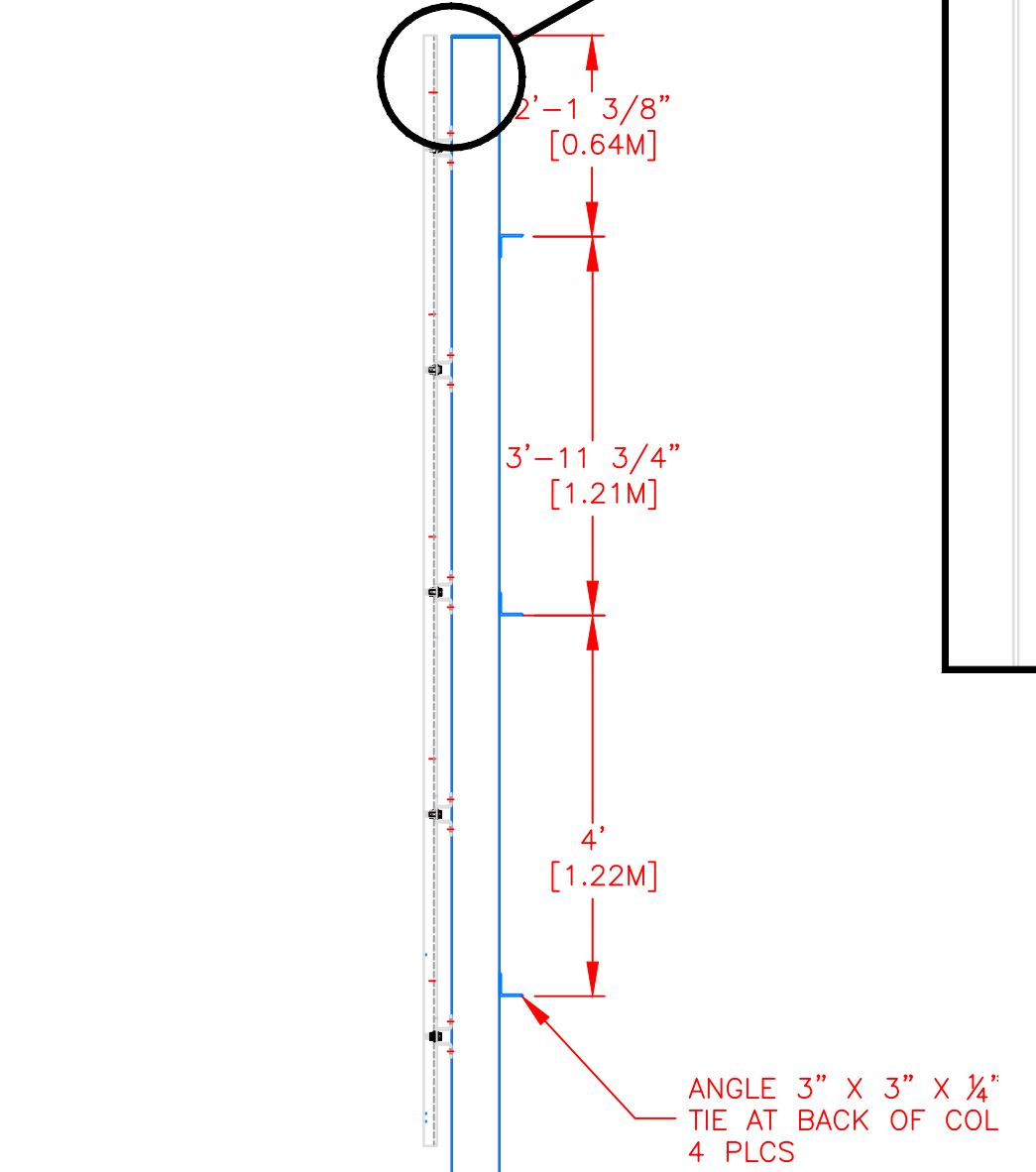
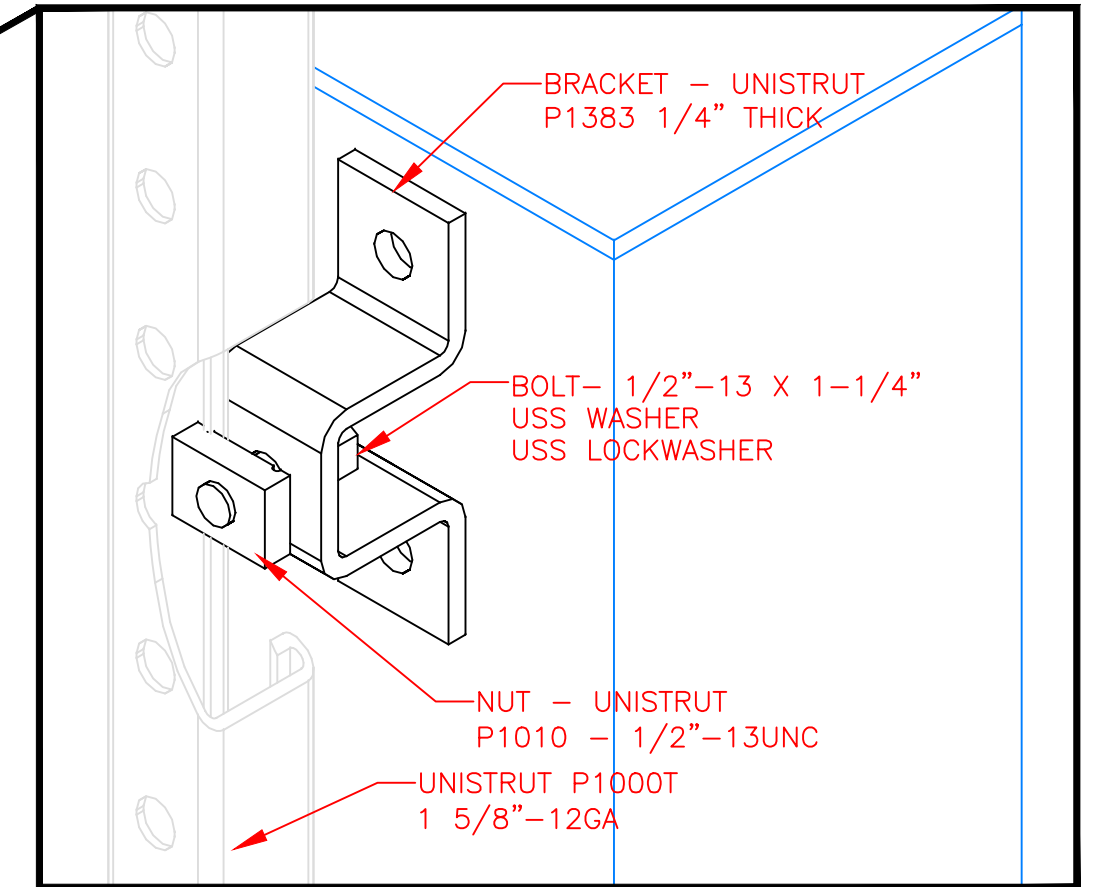
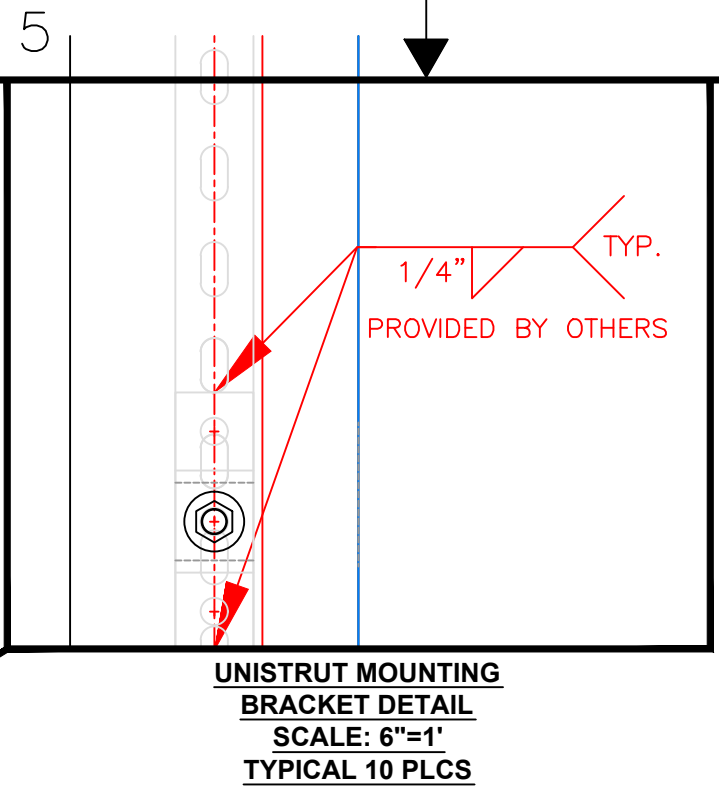
BILL OF MATERIAL				
ITEM	QTY	DESCRIPTION	CTS P/N	MFG P/N



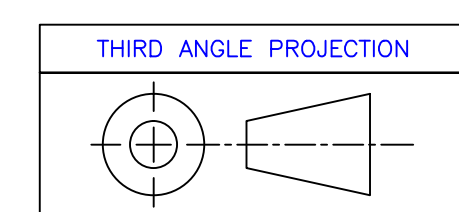
COLUMNS MUST BE AT LEAST 6" WIDE

COLUMN & FOOTING DETAILS TO BE DETERMINED BASED UPON LOCAL WIND & SOIL DETAILS

FRONT VIEW



SIDE VIEW



UNLESS OTHERWISE SPECIFIED:
 VARIATIONS IN FORM FOR UNMACHINED FEATURES ARE PERMITTED WITHIN ESTABLISHED COMMERCIAL STANDARDS. ALL EDGES AND CORNERS 0.005-0.020 (APPROX RADIUS OR CHAMFER) - ALL FILETS 0.005-0.020 (APPROX RADIUS) - SCREW THREADS PER ANSI B1.1 - PIPE THREADS PER ANSI B1.1 - SURFACE ROUGHNESS PER ANSI B46.1 - SURFACE ROUGHNESS ON HOLES 250 MAX

REV	DESCRIPTION	ECO/PCO #	DATE	ERS APPROVED
A	INITIAL RELEASE		8/9/12	ERS

DRAWN BY		DATE	REVISIONS	
C. CARR		8/9/12	ECO/PCO #	DATE
ENG. APPROVAL				
PROJECT ENG.				
DO NOT SCALE THIS DRAWING				
TRADE SECRET				
MATERIAL SEE BILL OF MATERIAL				
FINISH				
SIZE		DRAWING NUMBER	REV	
SCALE 1/2"=1'		D106-1-2-10-005	A	
		SHEET 2 OF 3		

Colorado TIME SYSTEMS, INC.
 1551 E. 11th St.
 Loveland, CO 80537
 P: (970) 667-1000
 F: (970) 667-5876

TITLE 6 LANE SWIM 2-POLE STRUCTURAL DETAILS

DO NOT SCALE THIS DRAWING

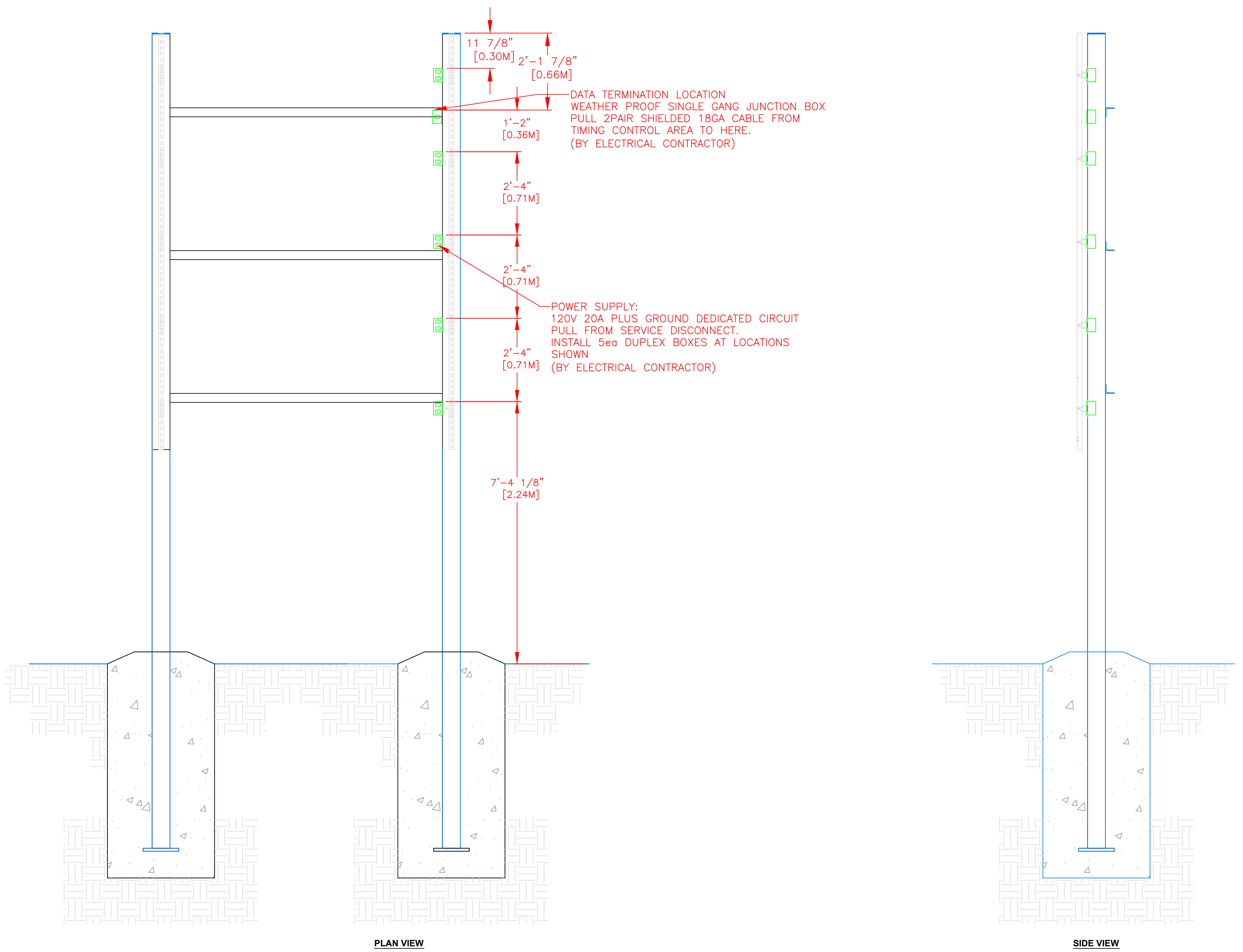
SCALE 1/2"=1'

8 7 6 5 4 3 2 1

- NOTES:
1. EACH DUPLEX RECEPTACLE IS 125V, USE LEVITON #5352 OR EQUIVALENT.
 2. RECEPTACLES MUST BE IN PLACE BEFORE CTS INSTALLATION.
 3. POWER REQUIREMENTS: 120V, 1AMP PER SCOREBOARD MODULE MAXIMUM OF 16 MODULES PER 20A CIRCUIT.
 4. SINGLE GANG WALL BOX WITH BLANK PLATE FOR DATA CABLE. ONE REQUIRED PER DISPLAY.
 5. CONTROL CIRCUIT SHALL BE 125V 20A. NATIONAL ELECTRICAL CODE REQUIRES A MEANS OF DISCONNECT AT THE LOCATION OF THE SIGN. SCOREBOARD SHALL BE WIRED IN ACCORDANCE WITH NATIONAL ELECTRIC CODE ARTICLE 600-6.

***IT IS EXTREMELY IMPORTANT THAT THE CIRCUITS USED TO POWER THE SCOREBOARD NOT BE SHARED WITH OTHER DEVICES. THE SCOREBOARD IS SENSITIVE TO "NOISE" ON THE AC POWER LINE.

BILL OF MATERIAL				
ITEM	QTY	DESCRIPTION	CTS P/N	MFG P/N

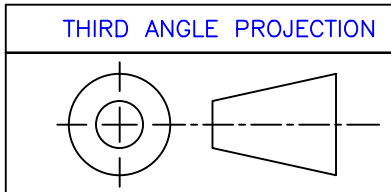


PLAN VIEW

SIDE VIEW

REV	DESCRIPTION	ECO/PCO #	DATE	ERS APPROVED
A	INITIAL RELEASE		8/9/12	ERS

TOLERANCES EXCEPT AS NOTED		DRAWN BY		DATE
INCHES	± N/A	C. CARR	8/9/12	
MM	± N/A			
TOLERANCES EXCEPT AS NOTED		PROJECT ENG.		
.X	± N/A			
.XX	± N/A			
.XXX	± N/A			
ANGLES ± 1°				
MATERIAL		SEE BILL OF MATERIAL		
FINISH				



UNLESS OTHERWISE SPECIFIED:
 VARIATIONS IN FORM FOR UNMACHINED FEATURES ARE PERMITTED WITHIN ESTABLISHED COMMERCIAL STANDARDS. ALL EDGES AND CORNERS 0.005-0.020 (APPROX RADIUS OR CHAMFER) - ALL FILETS 0.005-0.020 (APPROX RADIUS) - SCREW THREADS PER ANSI B1.1 - PIPE THREADS PER ANSI B1.1 - SURFACE ROUGHNESS PER ANSI B46.1 - SURFACE ROUGHNESS ON HOLES 250 MAX

Colorado TIME SYSTEMS
 1551 E. 11th. St.
 Loveland, CO 80537
 P: (970) 667-1000
 F: (970) 667-5876

TRADE SECRET

THE INFORMATION AND DATA CONTAINED HEREIN IS SECRET AND IS SUBMITTED IN CONFIDENCE, AND SHALL NOT BE DISCLOSED, USED, OR REPRODUCED FOR ANY PURPOSE WHATSOEVER WITHOUT THE PRIOR WRITTEN PERMISSION OF Colorado Time Systems, Inc., 1551 E. 11th Street, Loveland, Colorado, 80537. This legend shall be marked on any reproduction hereof in whole or in part. Receipt of this document shall be deemed to be an acceptance of the conditions specified herein.

TITLE: 6 LANE SWIM 2-POLE ELECTRICAL DETAILS
 NEXT ASSEMBLY:
 SIZE: DRAWING NUMBER: D106-1-2-10-005
 SCALE: 1/2"=1' SHEET 3 OF 3