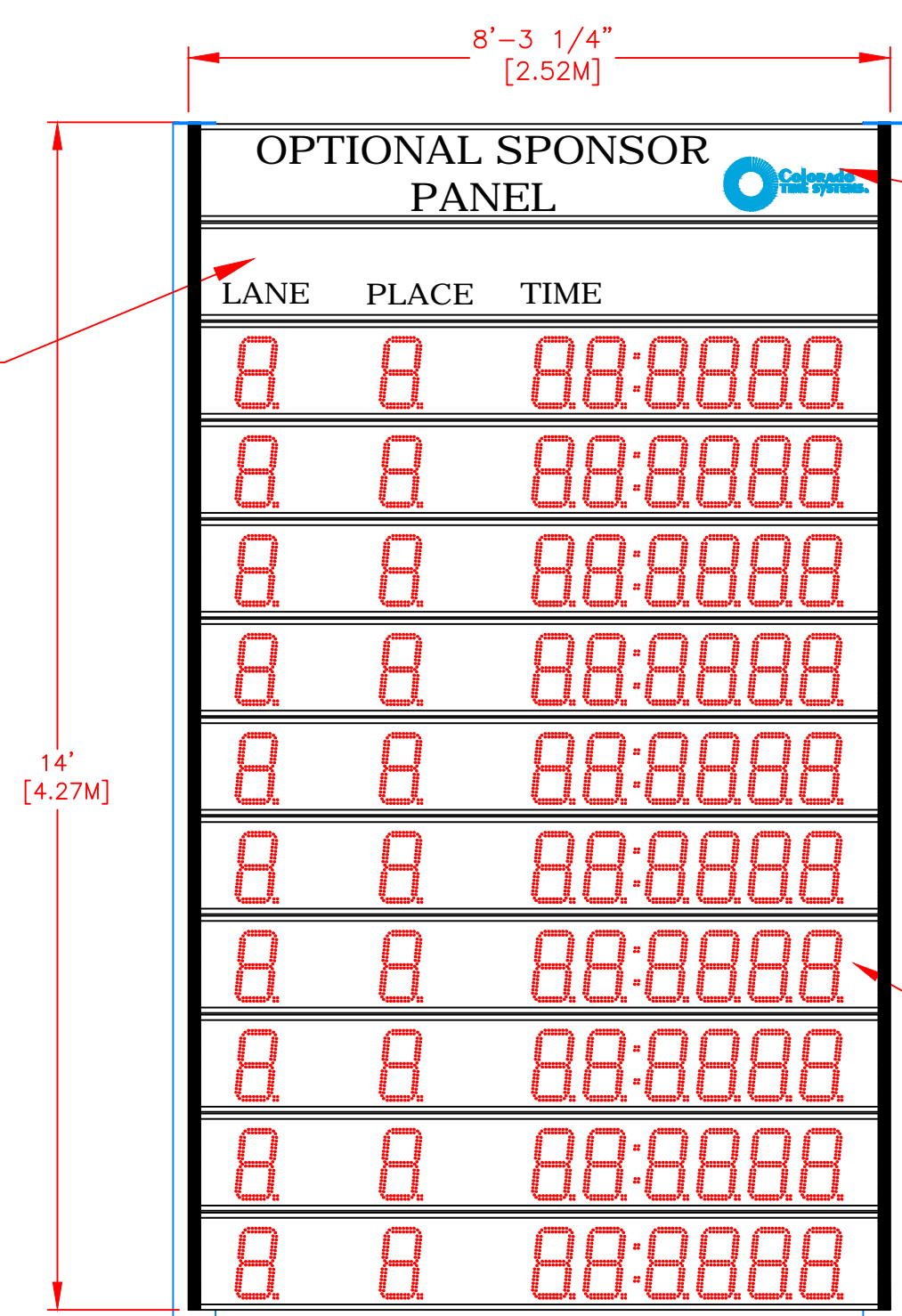


8 7 6 5 4 3 2 1

BILL OF MATERIAL				
ITEM	QTY	DESCRIPTION	CTS P/N	MFG P/N

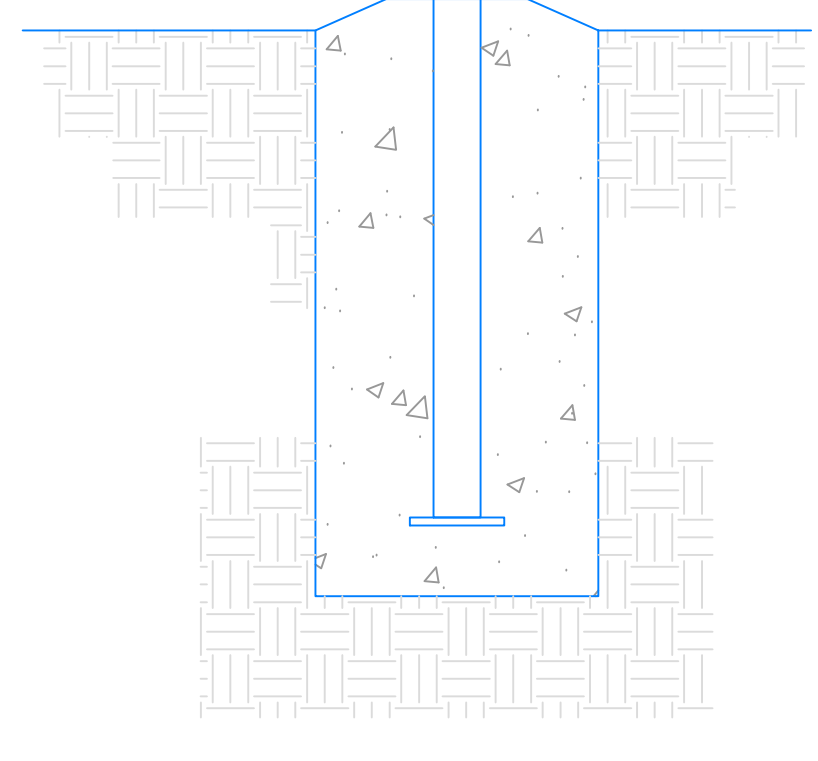
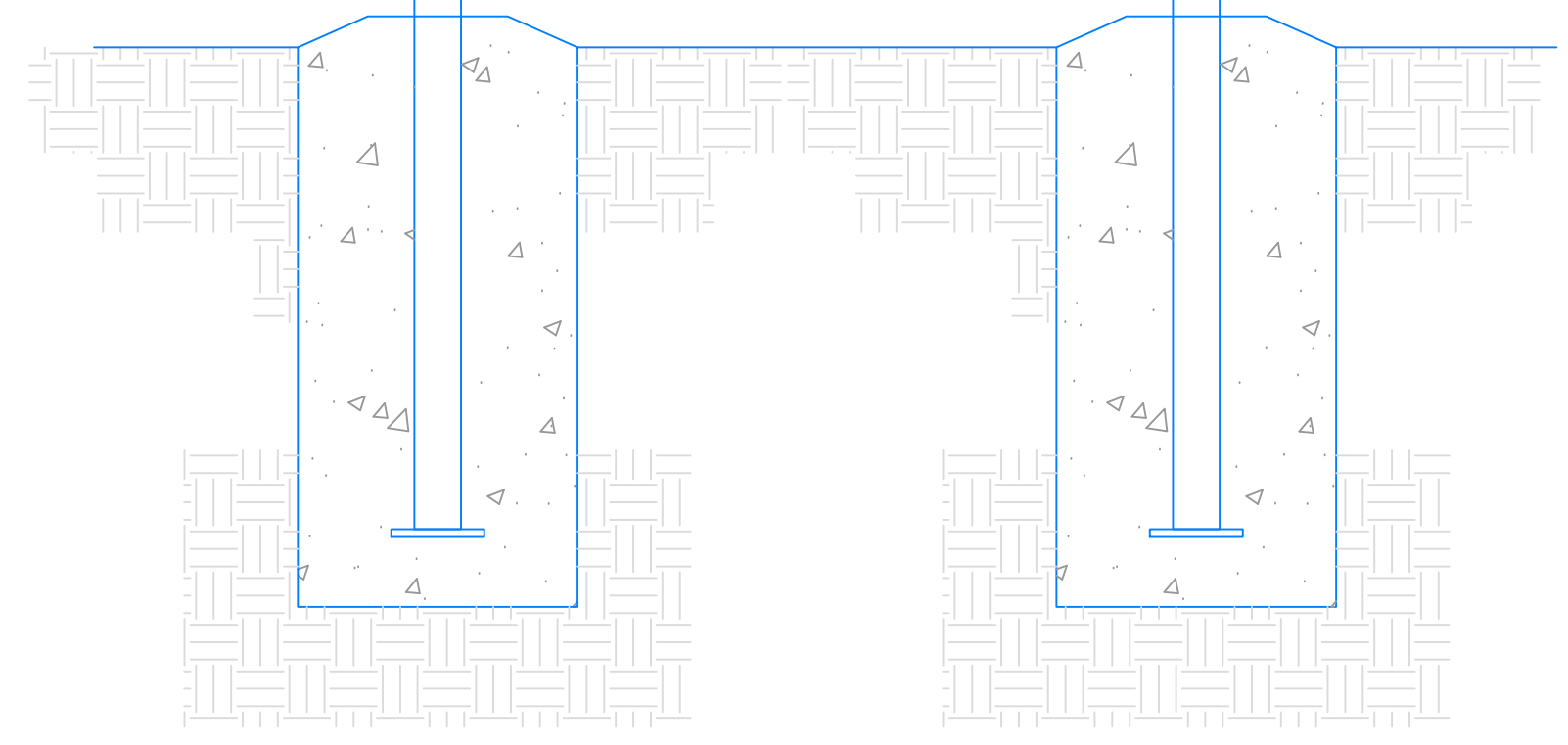
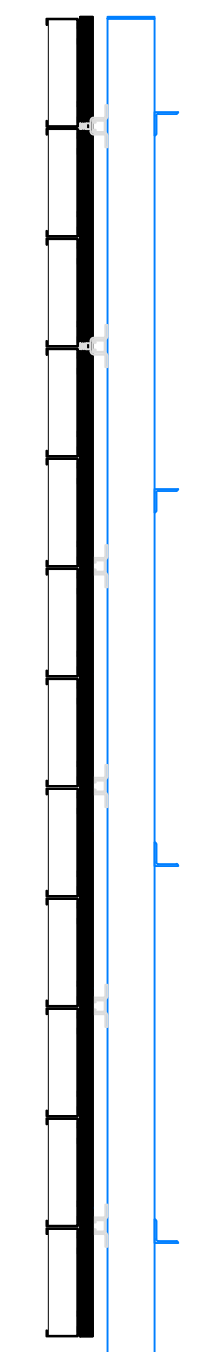
LANE PLACE TIME  
SCOREBOARD DISPLAY  
P/N: SP-LED WITH LN/PL/TIME  
(BY COLORADO TIME SYSTEMS)  
WEIGHT 26lbs EACH



OPTIONAL SPONSOR  
PANEL

SPONSOR PANEL ASSEMBLY  
1 REQUIRED  
P/N SP-LED WITH OPTIONAL ARTWORK  
(BY COLORADO TIME SYSTEMS)  
WEIGHT 26lbs EACH

LANE PLACE TIME 8-DIGIT  
SCOREBOARD DISPLAY  
10 REQUIRED  
P/N: LEDR  
(BY COLORADO TIME SYSTEMS)  
WEIGHT 40lbs EA

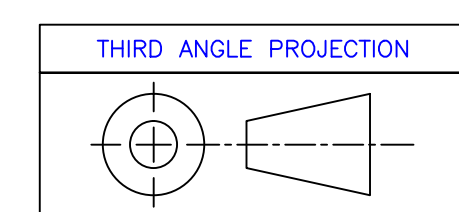


FRONT VIEW

SIDE VIEW

- NOTES:
- TOTAL WEIGHT - 452 LBS - INCLUDES DISPLAY PORTION ONLY
  - DIMENSIONS ARE APPROXIMATE AND ARE SUBJECT TO CHANGE DUE TO DETAILED DESIGN CONSIDERATIONS
  - THIS DRAWING FOR DESIGN ONLY - PLEASE CONSULT CTS PRIOR TO ANY FABRICATION/INSTALLATION
  - ONLY APPROVED SHOP DRAWINGS SHOULD BE USED FOR CONSTRUCTION
  - ALL CONSTRUCTION AND FABRICATION MUST MEET ALL APPLICABLE LOCAL, STATE, AND NATIONAL CODES
  - ALL ON-SITE WORK TO BE DONE IN ACCORDANCE WITH OSHA AND ALL LOCAL CODES THAT APPLY
  - CTS PROVIDES DISPLAY, UNISTRUT, AND BRACKETING - ALL OTHER STRUCTURAL COMPONENTS AND FABRICATION MUST BE PROVIDED BY OTHER

UNLESS OTHERWISE SPECIFIED:  
VARIATIONS IN FORM FOR UNMACHINED FEATURES ARE PERMITTED WITHIN ESTABLISHED COMMERCIAL STANDARDS. ALL EDGES AND CORNERS 0.005-0.020 (APPROX RADIUS OR CHAMFER) - ALL FILETS 0.005-0.020 (APPROX RADIUS) - SCREW THREADS PER ANSI B1.1 - PIPE THREADS PER ANSI B1.1 - SURFACE ROUGHNESS PER ANSI B46.1 - SURFACE ROUGHNESS ON HOLES 250 MAX



REV	DESCRIPTION	ECO/PCO #	DATE	ERS APPROVED
A	INITIAL RELEASE		8/9/12	ERS

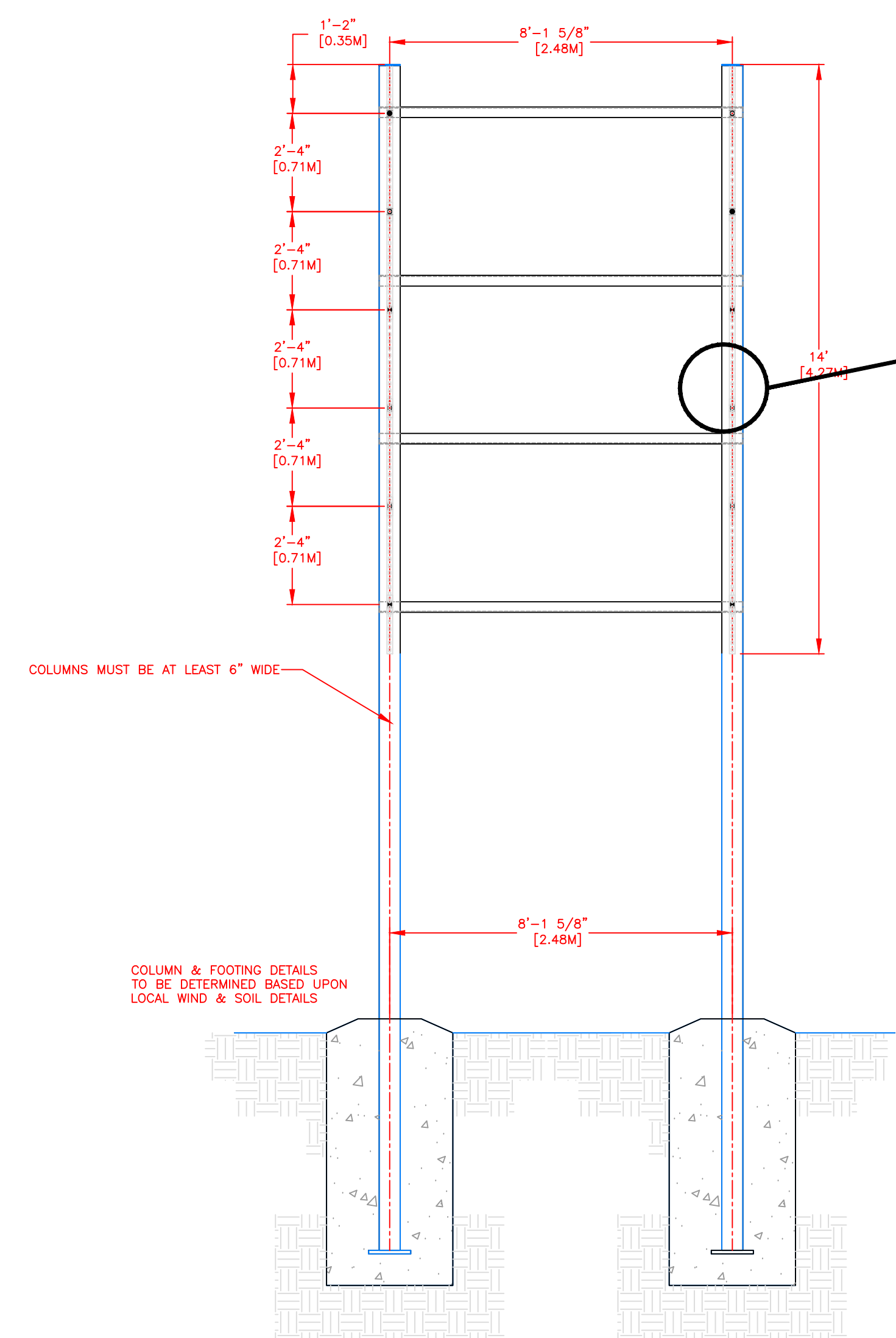
DRAWN BY C. CARR		DATE 8/9/12	<p>1551 E. 11th. St. Loveland, CO 80537 P: (970) 667-1000 F: (970) 667-5876</p>								
ENG. APPROVAL		PROJECT ENG.									
<p>ALL DIMS IN INCHES UNLESS OTHERWISE NOTED INCH [MM] 1 INCH = 25.4MM TOLERANCES EXCEPT AS NOTED</p> <table border="1"> <tr> <td>INCHES</td> <td>MM</td> </tr> <tr> <td>.X ± N/A</td> <td>.X ±</td> </tr> <tr> <td>.XX ± N/A</td> <td>.XX ±</td> </tr> <tr> <td>.XXX ± N/A</td> <td>.XX ±</td> </tr> </table>			INCHES	MM	.X ± N/A	.X ±	.XX ± N/A	.XX ±	.XXX ± N/A	.XX ±	<p>TRADE SECRET</p> <p>The information and data contained herein is secret and is submitted in confidence, and shall not be disclosed, used, or duplicated for any purpose whatsoever without the prior written permission of Colorado Time Systems, Inc., 1551 E. 11th Street, Loveland, Colorado, 80537. This legend shall be printed on any reproduction hereof in whole or in part. Receipt of this document shall be deemed to be an acceptance of the conditions specified herein.</p>
INCHES	MM										
.X ± N/A	.X ±										
.XX ± N/A	.XX ±										
.XXX ± N/A	.XX ±										
MATERIAL SEE BILL OF MATERIAL		FINISH	<p>SCALE 1/2"=1'</p> <p>SHEET 1 OF 3</p>								

8 7 6 5 4 3 2 1

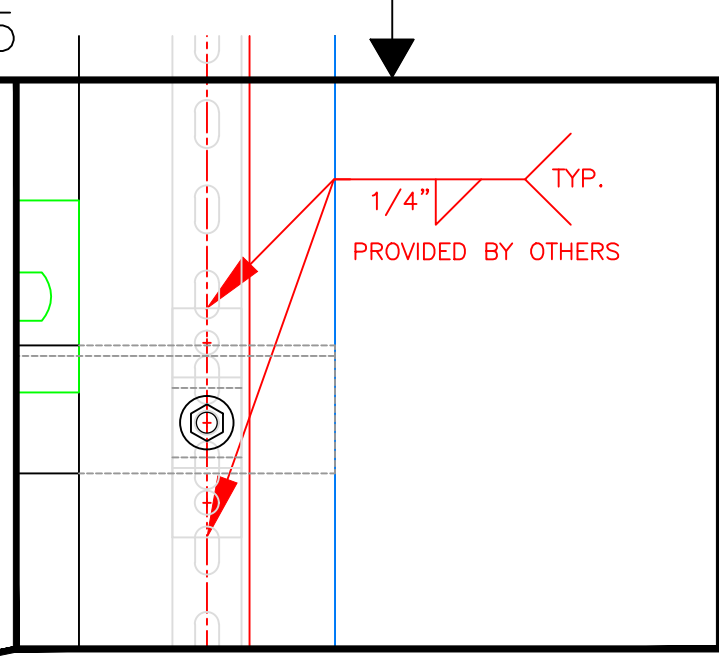
8 7 6 5 4 3 2 1

BILL OF MATERIAL

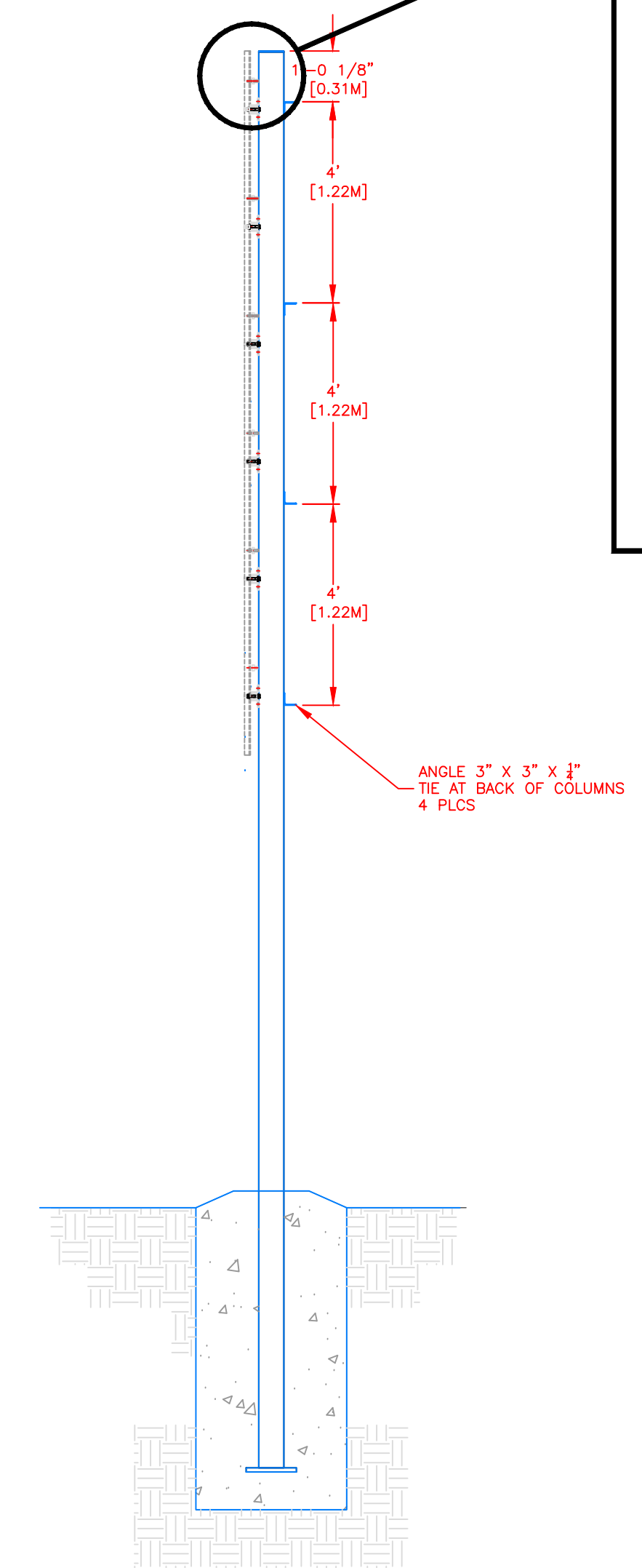
ITEM	QTY	DESCRIPTION	CTS P/N	MFG P/N
------	-----	-------------	---------	---------



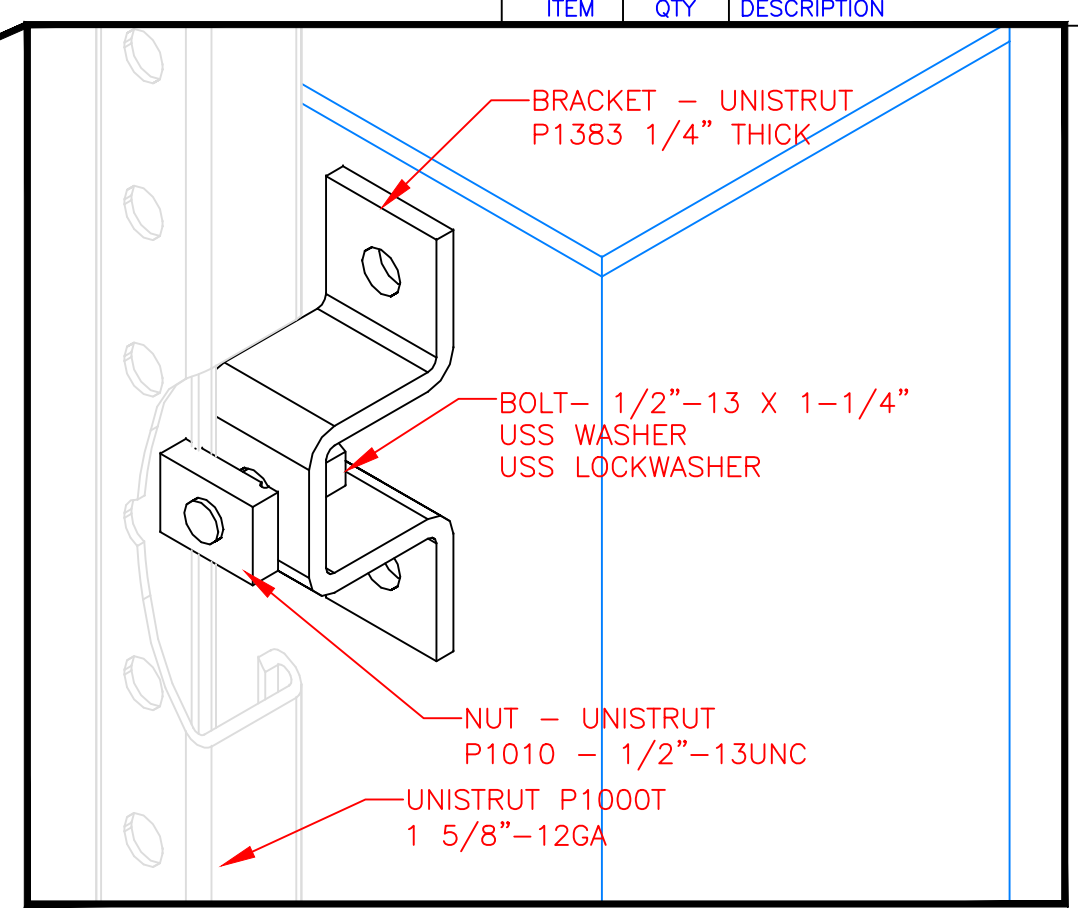
FRONT VIEW



UNISTRUT MOUNTING BRACKET DETAIL  
SCALE: 6"=1'  
TYPICAL 12 PLCS



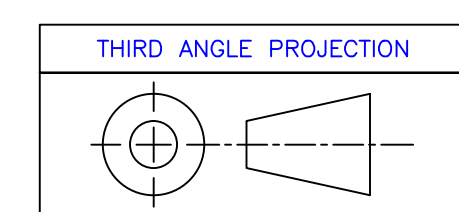
SIDE VIEW



UNISTRUT MOUNTING HARDWARE DETAIL  
TYPICAL 12 PLCS  
SCALE: 6"=1'

REV	DESCRIPTION	ECO/PCO #	DATE	ERS APPROVED
A	INITIAL RELEASE		8/9/12	ERS

1551 E. 11th. St.  
Loveland, CO 80537  
P: (970) 667-1000  
F: (970) 667-5876



ALL DIMS IN INCHES UNLESS OTHERWISE NOTED INCH [MM] 1 INCH = 25.4MM TOLERANCES EXCEPT AS NOTED	DRAWN BY C. CARR DATE 8/9/12 ENG. APPROVAL PROJECT ENG.	1551 E. 11th. St. Loveland, CO 80537 P: (970) 667-1000 F: (970) 667-5876
INCHES .X ± N/A .XX ± N/A .XXX ± N/A	MM .X ± .XX ±	TRADE SECRET
ANGLES ± 1°	MATERIAL SEE BILL OF MATERIAL FINISH	TITLE 10 LANE SWIM 2-POLE STRUCTURAL DETAILS
UNLESS OTHERWISE SPECIFIED: VARIATIONS IN FORM FOR UNMACHINED FEATURES ARE PERMITTED WITHIN ESTABLISHED COMMERCIAL STANDARDS. ALL EDGES AND CORNERS 0.005-0.020 (APPROX RADIUS OR CHAMFER) - ALL FILETS 0.005-0.020 (APPROX RADIUS) - SCREW THREADS PER ANSI B1.1 - PIPE THREADS PER ANSI B1.1 - SURFACE ROUGHNESS PER ANSI B46.1 - SURFACE ROUGHNESS ON HOLES 250 MAX	DO NOT SCALE THIS DRAWING	SIZE D 10-1-2-12-002
		SCALE 1/2"=1'

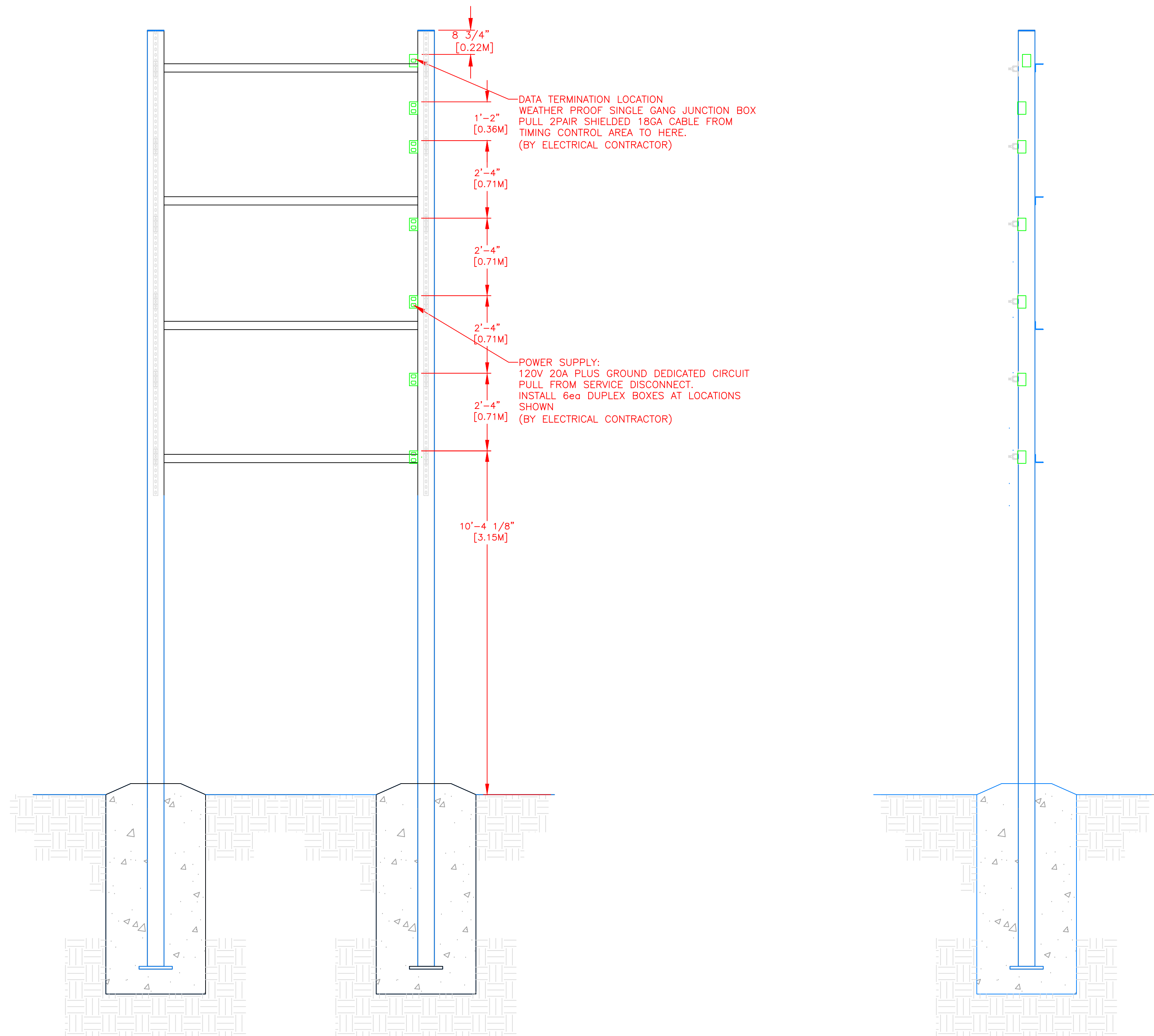
8 7 6 5 4 3 2 1

NOTES:

1. EACH DUPLEX RECEPTACLE IS 125V, USE LEVITON #5352 OR EQUIVALENT.
2. RECEPTACLES MUST BE IN PLACE BEFORE CTS INSTALLATION.
3. POWER REQUIREMENTS: 120V, 1AMP PER SCOREBOARD MODULE MAXIMUM OF 16 MODULES PER 20A CIRCUIT.
4. SINGLE GANG WALL BOX WITH BLANK PLATE FOR DATA CABLE. ONE REQUIRED PER DISPLAY.
5. CONTROL CIRCUIT SHALL BE 125V 20A. NATIONAL ELECTRICAL CODE REQUIRES A MEANS OF DISCONNECT AT THE LOCATION OF THE SIGN. SCOREBOARD SHALL BE WIRED IN ACCORDANCE WITH NATIONAL ELECTRIC CODE ARTICLE 600-6.

\*\*\*IT IS EXTREMELY IMPORTANT THAT THE CIRCUITS USED TO POWER THE SCOREBOARD NOT BE SHARED WITH OTHER DEVICES. THE SCOREBOARD IS SENSITIVE TO "NOISE" ON THE AC POWER LINE.

BILL OF MATERIAL				
ITEM	QTY	DESCRIPTION	CTS P/N	MFG P/N



FRONT VIEW

SIDE VIEW

REV	DESCRIPTION	ECO/PCO #	DATE	ERS APPROVED
A	INITIAL RELEASE		8/9/12	ERS

<p>ALL DIMS IN INCHES UNLESS OTHERWISE NOTED                  INCH [MM] 1 INCH = 25.4MM                  TOLERANCES EXCEPT AS NOTED</p> <p>INCHES: .X ± N/A, .XX ± N/A, .XXX ± N/A                  MM: .X ±, .XX ±</p> <p>ANGLES ± 1°</p> <p>UNLESS OTHERWISE SPECIFIED:                  VARIATIONS IN FORM FOR UNMACHINED FEATURES ARE PERMITTED WITHIN ESTABLISHED COMMERCIAL STANDARDS. ALL EDGES AND CORNERS 0.005-0.020 (APPROX RADIUS OR CHAMFER) - ALL FILETS 0.005-0.020 (APPROX RADIUS) - SCREW THREADS PER ANSI B1.1 - PIPE THREADS PER ANSI B1.1 - SURFACE ROUGHNESS PER ANSI B46.1 - SURFACE ROUGHNESS ON HOLES 250 MAX</p>	<p>DRAWN BY: C. CARR                  DATE: 8/9/12                  ENG. APPROVAL: [Signature]                  PROJECT ENG.</p> <p>DO NOT SCALE THIS DRAWING</p> <p>TRADE SECRET</p> <p>The information and data contained herein is secret and is submitted in confidence, and shall not be disclosed, used, or duplicated for any purpose whatsoever without the prior written permission of Colorado Time Systems, Inc., 1551 E. 11th Street, Loveland, Colorado, 80537. This legend shall be marked on any reproduction hereof in whole or in part. Receipt of this document shall be deemed to be an acceptance of the conditions specified herein.</p>	<p>1551 E. 11th St.                  Loveland, CO 80537                  P: (970) 667-1000                  F: (970) 667-5876</p> <p>Colorado TIME SYSTEMS</p> <p>TITLE: 10 LANE SWIM 2-POLE ELECTRICAL DETAILS</p> <p>SIZE: D                  DRAWING NUMBER: 10-1-2-12-002                  SCALE: 1/2"=1'                  SHEET 3 OF 3</p>
---	---	---

