

4

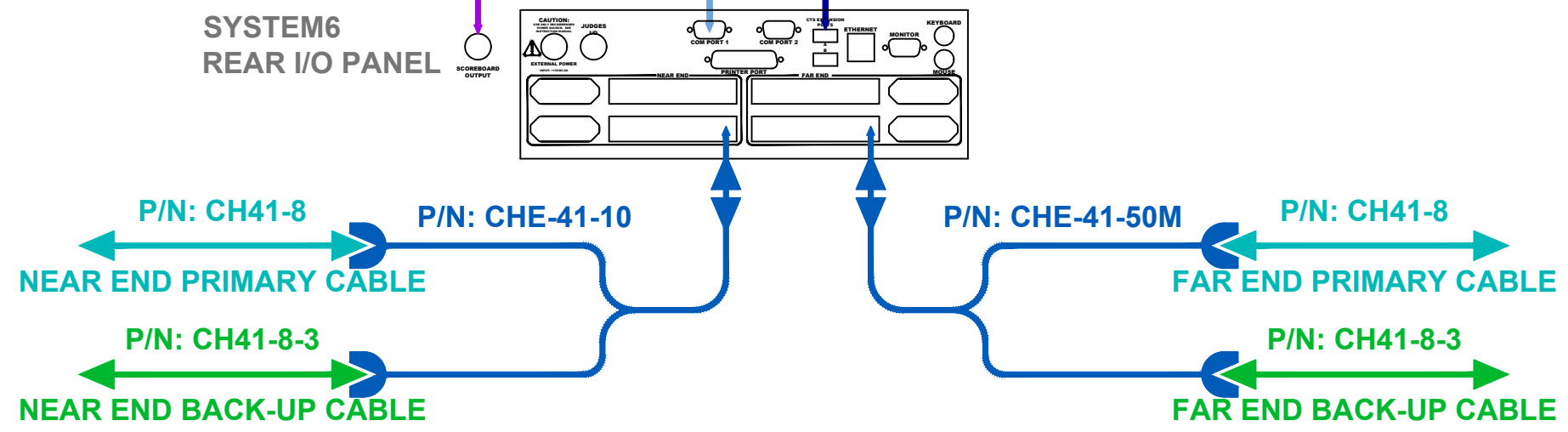
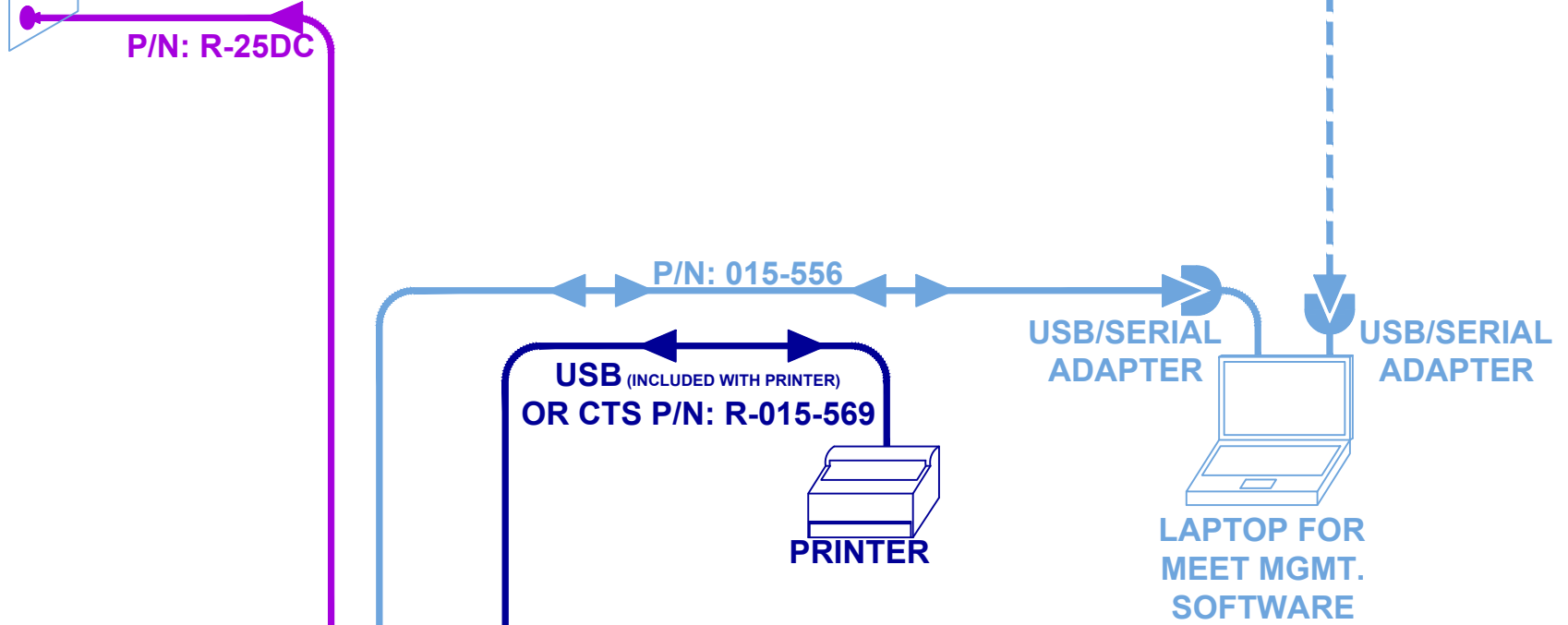
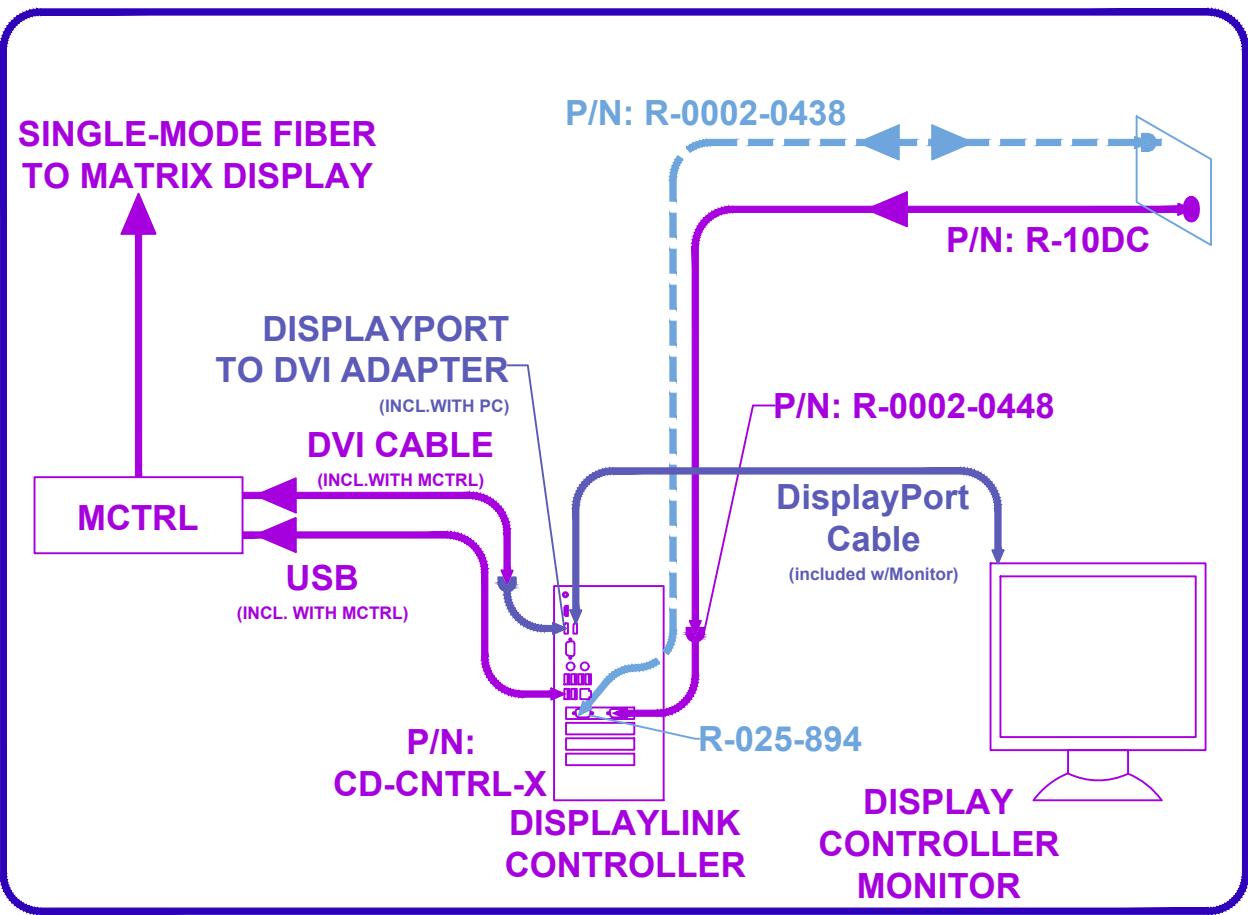
3

2

1

CONTROL ROOM

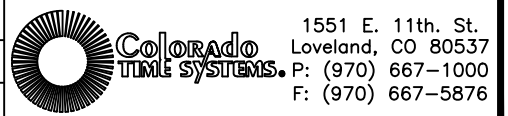
NOTE: MAXIMUM DATA LENGTH FOR MEET MANAGEMENT CONNECTION USING STANDARD RS-232 SERIAL DATA IS 25ft. ADDITIONAL RANGE CAN BE ACCOMPLISHED USING OUR SERIAL DATA EXTENDERS. CONTACT YOUR SALES PERSON FOR DETAILS.



TITLE EQUIPMENT SETUP
SYSTEM 6 - CONNECTIONS TO
YAHAM/NOVASTAR

DRAWN BY M.MEDINA-BRODSKY
DATE 04/01/2016
SIZE C DRAWING NUMBER S2016-003-004 REV. A

SCALE N.T.S.
SHEET 1 OF 1



4

3

2

1