



Championship Start System Tripod Mounting Instructions (TR-2)



Tool Required: Phillips screwdriver

- 1. Separating the Championship Start bracket and the tripod bracket:** The Championship Start bracket and the tripod bracket are attached to each other to prevent damage in shipping. Loosen the thumbscrew that holds them together and take them apart.
- 2. Positioning the Championship Start bracket:** The Championship Start bracket (*Figure 1*) slides on to the bottom of your Championship Start System from either end. The four screws holding the stainless steel brackets come to you already loosened. Slide the bracket on to the bottom of your Championship Start by tucking the steel brackets into the open channel of the extrusion. (*See Figure 2 below.*)

Note: If the bracket is not centered on the extrusion (one end hangs too far over the back of the Championship Start), take it out, turn it around 180°, and re-insert the bracket into the extrusion.

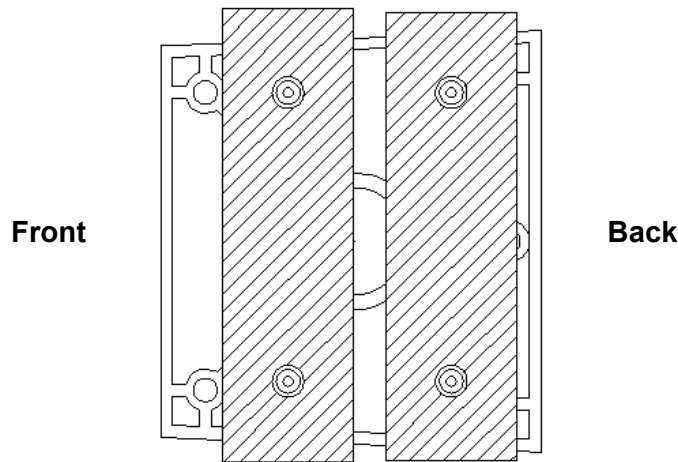


Figure 1 - Championship Start bracket

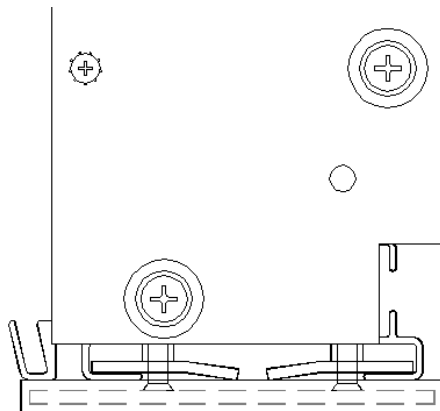


Figure 2 - End view of Championship Start with bracket

3. **Fastening the Championship Start bracket:** Slide the bracket to approximately the center of the Championship Start. Tighten the four screws until the bracket is firmly secured. Do not over tighten these screws, as this will warp the bracket, making it difficult to slide it on and off the tripod top bracket.
4. **Fastening the tripod bracket:** Slide the tripod bracket (*Figure 3 below*) into the Championship Start bracket. The tripod bracket is slightly narrower at one end, and will only slide into the Championship Start bracket from one direction. Tighten the thumbscrew that holds the two together until just snug. Do not over-tighten.

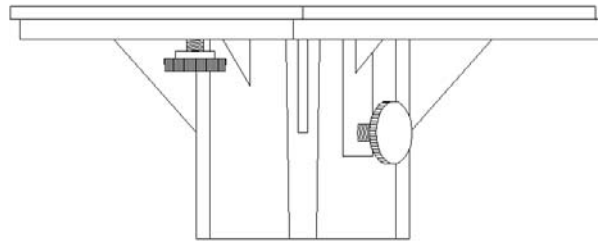


Figure 3 - Tripod bracket

5. **Mounting the Championship Start on the tripod:** Spread the tripod's legs and ensure that the tripod is stable. Lift the Championship Start onto the top of the tripod. Tighten the thumbscrew on the side until just snug. Do not over-tighten.