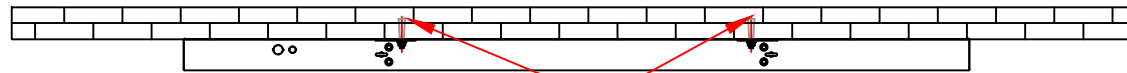


DISPLAY	MODEL NUMBERS	A	B	C	D	E	F	HANGING WEIGHT	MAX POWER CONSUMPTION
BB-1100	MS-0016,MS-0017,MS-0018	108.00"	2.743m	84.00"	2.134m	48.00"	1.219m	86.00" 2.184m 87.60" 2.225m	4.25" 0.108m 180 LBS 82 KG 275 W
BB-1101	MS-0010,MS-0011,MS-0012	108.00"	2.743m	48.00"	1.219m	48.00"	1.219m	50.00" 1.270m 51.60" 1.311m	4.25" 0.108m 120 LBS 54 KG 175 W
BB-1102	MS-0022,MS-0023,MS-0024	132.00"	3.353m	36.00"	0.914m	60.00"	1.524m	38.00" 0.965m 39.60" 1.006m	4.25" 0.108m 110 LBS 50 KG 90 W
BB-1103	MS-0049,MS-0050,MS-0051	108.00"	2.743m	76.00"	1.930m	48.00"	1.219m	78.00" 1.981m 79.60" 2.022m	4.25" 0.108m 170 LBS 77 KG 231 W
BB-1104	MS-0052,MS-0053,MS-0054	108.00"	2.743m	76.00"	1.930m	48.00"	1.219m	78.00" 1.981m 79.60" 2.022m	4.25" 0.108m 170 LBS 77 KG 231 W
BK-1300	MS-0007,MS-0008,MS-0009	108.00"	2.743m	60.00"	1.524m	48.00"	1.219m	62.00" 1.575m 63.60" 1.615m	4.25" 0.108m 150 LBS 68 KG 230 W
BK-1301	MS-0001,MS-0002,MS-0003	108.00"	2.743m	36.00"	0.914m	48.00"	1.219m	38.00" 0.965m 39.60" 1.006m	4.25" 0.108m 90 LBS 41 KG 150 W
BK-1302	MS-0046	42.00"	1.067m	60.00"	1.524m	36.10"	0.917m	62.00" 1.575m 63.60" 1.615m	4.25" 0.108m 120 LBS 54 KG 110 W
CM-1403	MS-0004,MS-0005,MS-0006	108.00"	2.743m	24.00"	0.610m	48.00"	1.219m	26.00" 0.660m 27.60" 0.701m	4.25" 0.108m 75 LBS 34 KG 80 W
CM-1404	MS-0013,MS-0014,MS-0015	108.00"	2.743m	36.00"	0.914m	48.00"	1.219m	38.00" 0.965m 39.60" 1.006m	4.25" 0.108m 120 LBS 54 KG 130 W
CM-1405	MS-0047,MS-0048	108.00"	2.743m	28.00"	0.711m	48.00"	1.219m	30.00" 0.762m 31.60" 0.803m	4.25" 0.108m 85 LBS 39 KG 85 W
FB-1200	MS-0025,MS-0026,MS-0027	132.00"	3.353m	86.00"	2.184m	60.00"	1.524m	88.00" 2.235m 89.60" 2.276m	4.25" 0.108m 220 LBS 100 KG 330 W
FB-1201	MS-0019,MS-0020,MS-0021	132.00"	3.353m	50.00"	1.270m	60.00"	1.524m	52.00" 1.321m 53.60" 1.361m	4.25" 0.108m 140 LBS 64 KG 245 W
HK-1600	MS-0091-93 & MS-0094-96	108.00"	2.743m	73.50"	1.867m	48.00"	1.219m	38.00" 0.965m 77.10" 1.958m	4.25" 0.108m 195 LBS 88 KG 160 W
HK-1601	MS-0091,MS-0092,MS-0093	108.00"	2.743m	36.00"	0.914m	48.00"	1.219m	38.00" 0.965m 39.60" 1.006m	4.25" 0.108m 90 LBS 41 KG 115 W
HK-1602	MS-0094,MS-0095,MS-0096	108.00"	2.743m	37.50"	0.953m	48.00"	1.219m	38.00" 0.965m 41.10" 1.044m	4.25" 0.108m 105 LBS 48 KG 145 W
LX-1800	MS-0019-21 & MS-0097-98	132.00"	3.353m	98.00"	2.489m	60.00"	1.524m	100.00" 2.540m 101.60" 2.581m	4.25" 0.108m 140 LBS 64 KG 400 W
LX-1801	MS-0097,MS-0098; MS-0099	132.00"	3.353m	48.00"	1.219m	60.00"	1.524m	50.00" 1.270m 51.60" 1.311m	4.25" 0.108m 150 LBS 68 KG 150 W
CR-1700	MS-0085-86 & MS-0089-90	108.00"	2.743m	74.00"	1.880m	48.00"	1.219m	76.00" 1.930m 77.60" 1.971m	4.25" 0.108m 200 LBS 91 KG 175 W
CR-1701	MS-0087; MS-0088	108.00"	2.743m	48.00"	1.219m	48.00"	1.219m	50.00" 1.270m 51.60" 1.311m	4.25" 0.108m 130 LBS 59 KG 120 W
BB-1106	MS-0135; MS-0136	132.00"	3.353m	72.00"	1.829m	60.00"	1.524m	74.00" 1.880m 75.60" 1.920m	4.25" 0.108m 210 LBS 95 KG 200 W
BB-1107; BB-1108	MS-0129; MS-0130; MS-0131	108.00"	2.743m	84.00"	2.134m	48.00"	1.219m	86.00" 2.184m 87.60" 2.225m	4.25" 0.108m 180 LBS 82 KG 275 W

**NOTES:**

- POWER AND DATA CABLES MUST BE ROUTED IN SEPARATE CONDUIT
- CTS SUGGESTS 1/2" CONDUIT FOR DATA AND 3/4" CONDUIT FOR POWER
- CTS PROVIDES 15' POWER CABLE WITH A NEMA 5-15R PLUG. THIS CABLE MUST BE TERMINATED INSIDE DISPLAY ACCORDING TO THE INSTALLATION INSTRUCTIONS. IF POWER WIRES ARE HARDWIRED DIRECTLY TO DISPLAY DISCARD AND RECYCLE THIS POWER CABLE. THIS CABLE IS ONLY TO BE USED IN EITHER INDOOR APPLICATIONS OR OUTDOOR APPLICATIONS IN CONJUNCTION WITH AN OUTDOOR RATED RECEPTACLE.
- ALL DATA CONDUITS, JUNCTIONS, AND WIRES ARE OPTIONAL. WIRELESS IS STANDARD ON ALL DISPLAYS
- WIRED OPTION EQUIPMENT MUST BE ORDERED SEPARATELY
- ALL ATTACHMENT HARDWARE TO BE PROVIDED BY OTHERS
- LIFTING RINGS TO BE USED FOR INSTALLATION ONLY -NOT FOR PERMANENT MOUNTING
- CTS ASSUMES NO RESPONSIBILITY FOR INSTALLATIONS DONE BY OTHERS
- THIS SIGN IS INTENDED TO BE INSTALLED IN ACCORDANCE WITH THE REQUIREMENTS OF ARTICLE 600 OF THE NATIONAL ELECTRIC CODE AND/OR OTHER APPLICABLE CODES. THIS INCLUDES PROPER GROUNDING AND BONDING OF THE SCOREBOARD



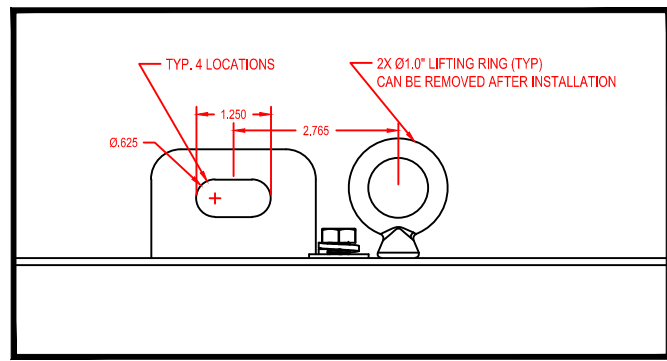
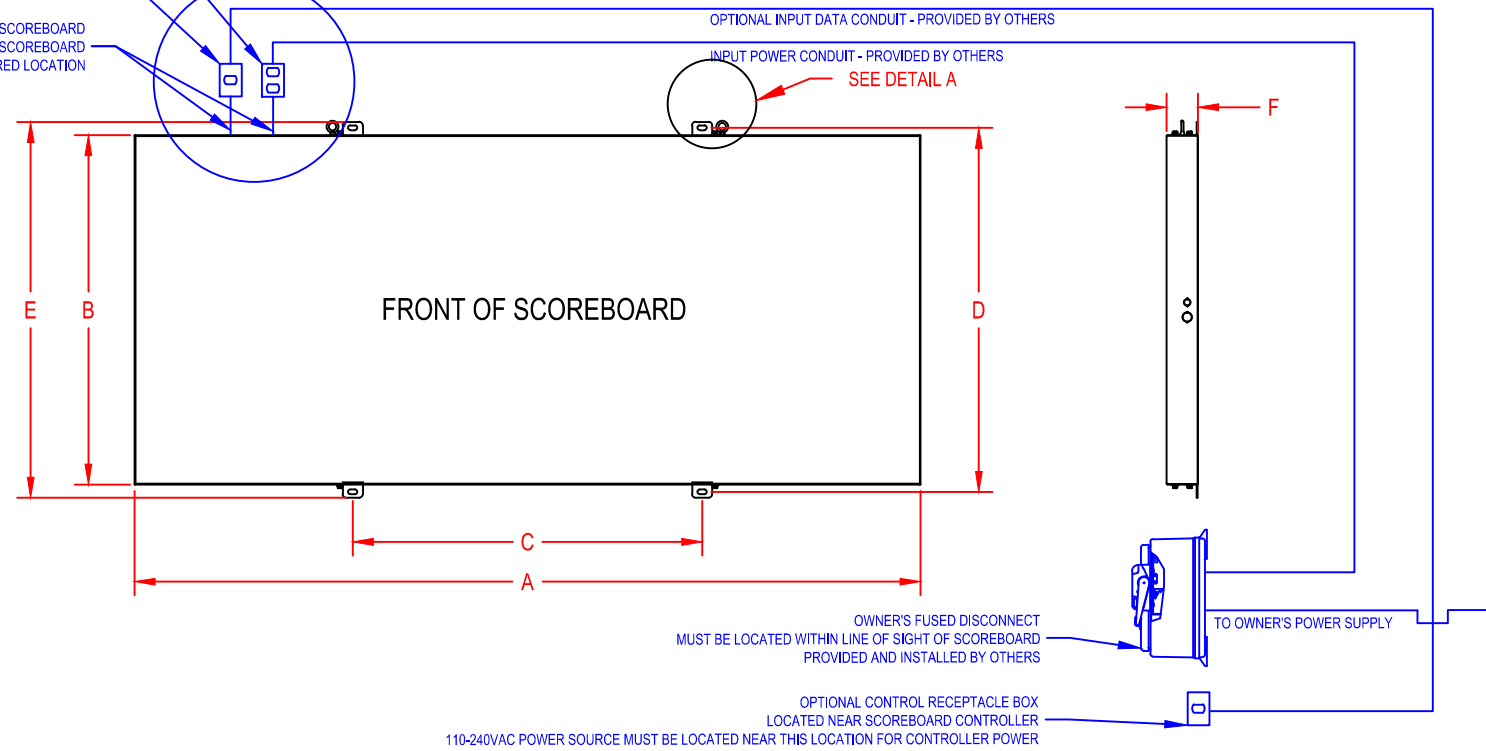
USE APPROPRIATE ATTACHMENT HARDWARE FOR SCOREBOARD SUBSTRUCTURE SPECIFIED AND APPROVED BY OTHERS

-POWER CONDUIT TERMINATION  
 -JUNCTION BOX WITH NEMA 5-15R OUTLET IS OPTIONAL  
 -CONDUIT CAN BE STUBBED DIRECTLY TO DISPLAY  
 -FOR OUTDOOR INSTALLATIONS THIS RECEPTACLE MUST BE RATED FOR OUTDOOR USE

DATA CONDUIT TERMINATION  
 JUNCTION BOX IS OPTIONAL  
 CONDUIT CAN BE STUBBED DIRECTLY TO DISPLAY

OPTIONAL CONDUITS TO SCOREBOARD  
 KNOCKOUTS ARE LOCATED ON ALL SIDES OF SCOREBOARD  
 INSTALL TO DESIRED LOCATION

THE LOCATION OF THESE ITEMS CAN VARY PER INSTALLATION  
 THE POWER AND DATA WIRES/CONDUITS ENTER THROUGH KNOCKOUTS TO THE SCOREBOARD  
 KNOCKOUTS ARE LOCATED ON ALL SIDES OF THE DISPLAY  
 CTS RECOMMENDS THESE ITEMS ENTER THE BOTTOM OF THE SCOREBOARD FOR ALL OUTDOOR INSTALLATIONS



DETAIL A  
 NTS

**WWW.COLORADOTIME.COM**

THE INFORMATION ON THIS DRAWING IS SUBJECT TO CHANGE WITHOUT NOTICE

THIRD ANGLE PROJECTION	TRADE SECRET	DIMENSIONS ARE REPRESENTED AS FOLLOWS: INCH (MM)		DRAWN BY	DATE	TITLE	1551 E. 11th. St. Loveland, CO 80537 P: (970) 667-1000 F: (970) 667-5876 WWW.COLORADOTIME.COM
		TOLERANCES EXCEPT AS NOTED		E. SOLANYK	2/14/13	MULTISPORT SCBD'S WALLMOUNT DETAILS	
	<small>The information and data contained herein is secret and is submitted in confidence, and shall not be disclosed, used, or duplicated for any purpose whatsoever without the prior written permission of Colorado Time Systems, Inc., 1551 E. 11th Street, Loveland Colorado, 80537. This legend shall be marked on any reproduction hereof in whole or in part. Receipt of this document shall be deemed to be an acceptance of the conditions specified herein.</small>	INCHES		ENG. APPROVAL	DATE		SIZE <b>B</b>
		X ± 0.02		PROJECT ENG.	DATE		
		MM			DATE		
ANGLES ± 1		DO NOT SCALE THIS DRAWING		SHEET 1 OF 1		DRAWING NUMBER	REV.
SCALE N.T.S.						<b>S2013-001-001</b>	<b>A1</b>

4

3

2

1