



Water Polo Scoreboard

With 2.4 GHz Integrated Wireless



Installation and User Guide



**Colorado
TIME SYSTEMS**

A **PLAYCORE** Company
F1005 Rev. 202007

Manufacturer:

Everlast Climbing Industries, Inc.
DBA Colorado Time Systems
1551 East 11th Street
Loveland, CO 80537 USA

Sales: 1-800-279-0111 or +1 970-667-1000

Service: 1-800-287-0653 or +1 970-667-1000
Service Fax: 970-667-1032

Web: www.coloradotime.com
Email: support@coloradotime.com

Product Identification

Product: Multiline Scoreboards

Model Numbers:

MS-0140 through MS-0142

MS-0171

MS-0174

Power Specification

320W power supply: 100-240V, 50/60Hz, max 4A

Information in this manual is subject to change without notice. Pictures and illustrations may not accurately depict your version. Please check our website for the most current information; our user manuals are available online in the customer service section of our website.

Part Number F1005, Rev. 202007

©2020 Colorado Time Systems. All rights reserved.

Contents

Product Overview	1
Scoreboard Installation Preparation.....	1
Physical mounting	1
Setting Channel and PAN.....	2
Operating Instructions	4
WTTTC and WHC	
Sports console	
Troubleshooting.....	8
No data appears on the scoreboard	
Expected data does not appear on the scoreboard	
Standards followed	9

Product Overview

The Otter multiline scoreboards for Water Polo can be used indoors or outdoors. They feature a lightweight aluminum enclosure and plastic weather covers over the digits.

The scoreboard is operated wirelessly when controlled by a wireless tabletop controller, a wireless handheld controller, or a CTS sports console. When used wirelessly, the scoreboard is controlled by a certified radio patch antenna that is mounted internally which keeps it protected from damage. It can be operated wired when controlled by a CTS sports console.

The scoreboards also contain ambient light sensors which detect external light and shadows and then adjust the display for optimum visibility.

Scoreboard Installation Preparation

When a board is used outdoors, the power cord must be used in conjunction with an outdoor-rated receptacle.

**Typically, it is more convenient to complete the Channel and PAN settings (if necessary) on the ground prior to mounting the board. Instructions are on following pages.

It is the owner's responsibility to follow all applicable electrical and structural codes. It is the owner's responsibility to follow all applicable building codes.

Required mounting/installation drawings showing board dimensions, attachment points and weight are available from www.coloradotime.com

Physical mounting

Determine the location for the scoreboard. It is the owner's responsibility to choose a location which can support the weight of the scoreboard, which is listed in the installation drawing. The scoreboard is mounted to a wall, corner or pole using kits that can be purchased separately. Follow the instructions that are included with that mounting kit.

Scoreboard support structures are the responsibility of the facility, and must be designed by a qualified structural engineer to meet all national and local codes. Refer to scoreboard installation drawing, showing the boards' dimensions, attachment points and weight.

The board must not be connected to live AC power during installation.

Setting Channel and PAN

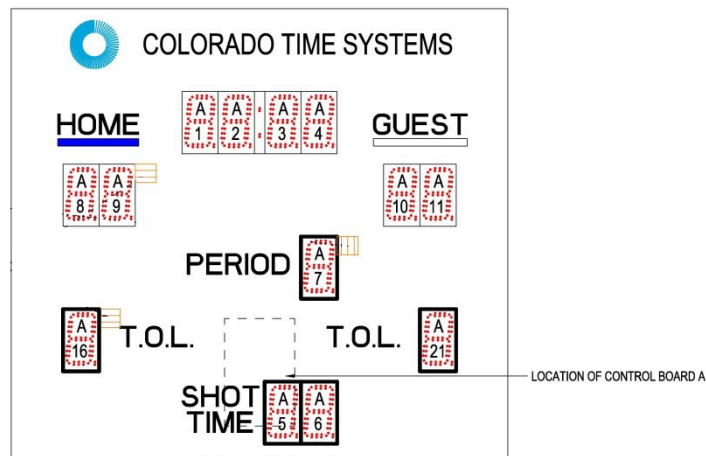
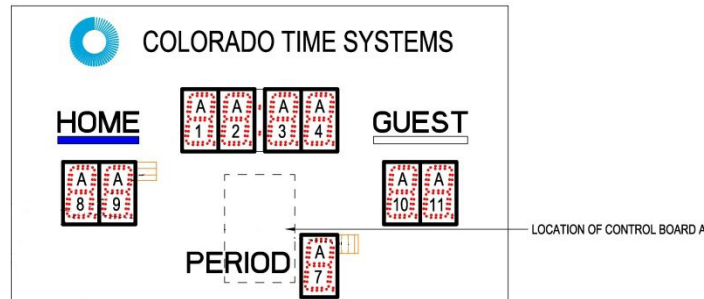
If using the scoreboard wirelessly, the scoreboard and your data source (wireless tabletop controller, or wireless handheld controller, or WA-2 wireless adapter with a sports timer) must be set to the same Channel and PAN. It is usually easiest to set the data source to match the scoreboard's Channel and PAN. To do this, follow the user instructions for the wireless tabletop or handheld controller, or the WA-2).

The scoreboard's default factory settings are Channel 4 / PAN 0

Occasionally it is preferable to change the scoreboard's Channel and PAN to match the data source.

To set the scoreboard's Channel and PAN:

1. The channel and PAN are set on control board A, which is next to the Period digit in most scoreboards (as shown in top image below). Remove end cap of one side by removing the screws. Slide out the weather cover over the Period digit to expose control board A. If there is no control board next to the Period digit, slide the weather cover back in, and slide out the weather cover over the Shot Time digits. Place the screws and weather cover in a safe place for later re-installation.



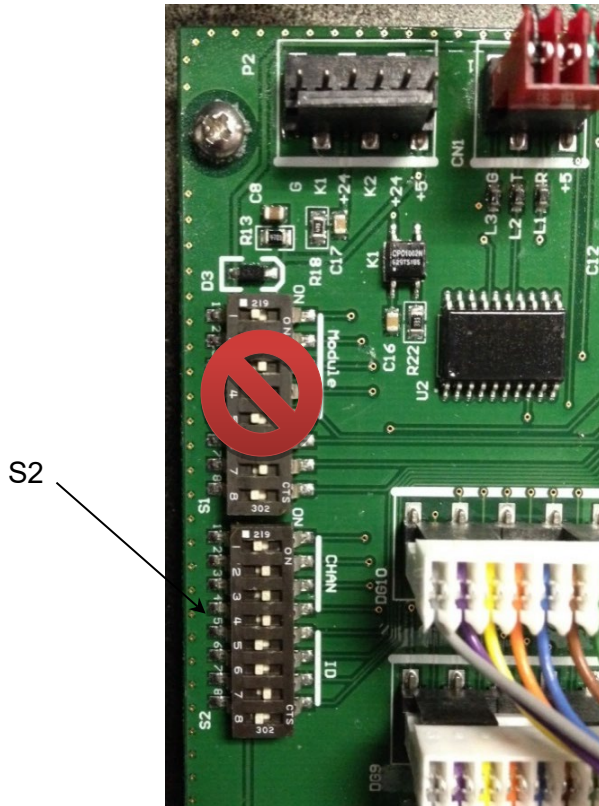
- Set the Channel and PAN on the dip switches for control board A.

DIP switch settings (Off = 0, On = 1)

Channels: Switches **1-4 of S2**. 0 to 11 are valid
PAN ID: Switches **5-8 of S2**. 0 to 15 are valid

0 0 0 0	0	0 0 1 0	4	0 0 0 1	8	0 0 1 1	12
1 0 0 0	1	1 0 1 0	5	1 0 0 1	9	1 0 1 1	13
0 1 0 0	2	0 1 1 0	6	0 1 0 1	10	0 1 1 1	14
1 1 0 0	3	1 1 1 0	7	1 1 0 1	11	1 1 1 1	15

NOTE: Settings of S1 should not be changed. Doing so will cause the display to cease functioning properly.



- Replace any digits you removed. Replace the weather covers. Replace end cap.

Operating Instructions

Once the scoreboard is powered up it displays an initialization routine on the top line:

- LEDs on
- Digits count up 0 through 9
- Displays version number
- Rotates through address, channel and PAN at least 3 times. For example, a board set to address 1, channel 4 and PAN 0 would show A01, C04, and P00.

The scoreboard is then ready for signals from its data source,

- WTTC-1 wireless tabletop controller, or
- WHC-1 wireless handheld controller, or
- CTS sports console (System 6, System 5, or System 4000).

WTTC and WHC

The wireless tabletop controller and wireless handheld are native wireless and need no additional hardware. The controller and scoreboard must be set to the same channel and PAN. Follow instructions in the WTTC quick reference or WHC user manual to change the channel and PAN there, and earlier in this manual to change the scoreboard.

Time of Day

When the scoreboard is on but does not receive data from a data source for longer than 30 seconds, the board will display time of day. Follow the instructions in your WTTC quick reference guide or WHC user manual to set the time of day, and it will also be saved to the scoreboard.

Scoreboard Intensity and Ambient Light Sensor

The WTTC can adjust the scoreboard's intensity; the WHC cannot. Follow the instructions in the WTTC quick reference guide to adjust scoreboard intensity. To enable/disable the ambient light sensors, the firmware revision of the WTTC must be version 1.3.5 or higher.

Sports console

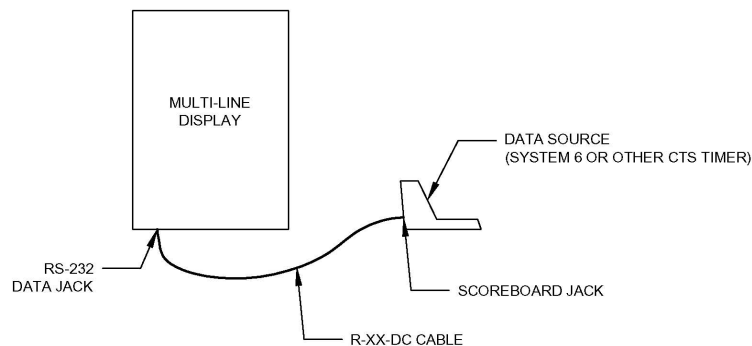
Cabled connection

Sports consoles can be connected by cables to the scoreboard.

Scoreboard cables must be supported a minimum of every 6 feet when not in conduit.

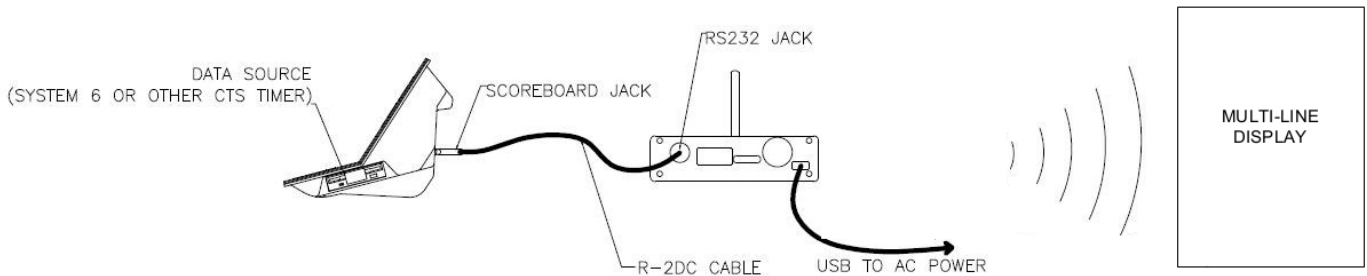
When conduit is used, the conduit must be secured every 3 feet at minimum.

Scoreboard cables must not be spliced in either indoor or outdoor applications. If using wired data make sure there are no sharp bends in the cable. A bend in RS-232 cables must have a minimum bend radius of 1.0”.



Use a data cable (R-xxDC) to connect your sports timer to the round quarter-inch RS-232 jack on the bottom of the scoreboard.

Wireless connection



When using a wireless connection, the WA-2 wireless adapter and scoreboard must be set to the same channel and PAN. Follow the WA-2 user instructions to change its channel and PAN. Follow instructions on previous pages if scoreboard Channel and PAN must be changed.

Displaying data correctly

Proper operation of the scoreboard requires the default scoreboard module definitions on the sports console.

In addition, on a System 6, also go to the Game Setups menu, Scoreboard Time Display submenu, and choose “Don’t Show Running Tenths” instead of “Show Running Tenths.”

Time of Day

When the scoreboard is on but does not receive data from a data source for longer than 30 seconds, the board will display time of day. Follow the instructions in your sports console user manual to set the time, and it will also be saved to the scoreboard. The scoreboard definition for time of day module must be set 16, which is the default. If using the wireless connection via a WA-2, the firmware revision of the WA-2 must be version 2.0.5 or greater.

Ambient Light Sensor Set-up and Operation

The ambient light sensors can be enabled and disabled from a System 6.

To turn the sensor on, follow these steps:

1. Go to the Scoreboard screen in Water Polo
2. Select "Increase/Decrease Intensity"
3. Select "2" as the intensity value
4. Press "Save Settings" if you want the ambient light sensor turned on each time you enter Water Polo.

The board will now begin to control the intensity automatically based on the intensity of the light hitting the board.

To turn the sensor off, selecting anything above a 2 for the intensity value and press "Save Settings" if you do not want the ambient light sensor on each time you enter Water Polo.

Synchronizing Time of Day

To set multiple scoreboards to the same time, they must be set to the same channel and PAN (See page 2).

Designating Leader/Follower with WTTC, WA-3 or WA-2

1. Connect a WTTC, WA-3 or WA-2 to your computer using a USB cable.
2. Make sure the Channel and PAN are set to match your scoreboard.
 - a. WA-3 or WA-2: use the dipswitches on the device
 - b. WTTC: use the on-screen menu. After checking /setting the Channel and PAN and saving any changes, turn the unit off and then on again and leave it at the Sport Selection menu.
3. From your computer, open the MultiSport Firmware Reprogramming tool.
 - a. If you do not have this tool, download it from the CTS website at <https://www.coloradotime.com/support-overview/installation-methods>.
Choose the MultiSport tab and download MultiSport Display Firmware.
4. Click "Scan for Devices"
5. Select your attached WTTC or WA-3/WA-2 (WA-3 will be listed as WA2)
6. Click "Get Sub-Devices"
7. Select the scoreboard you wish to set as leader.
 - a. Click the "Enable (as Leader)" button at the bottom of the screen.
 - b. The scoreboard will display **LEAD** for a few seconds
8. One by one, select the scoreboard you wish to set as follower.
 - a. Click the "Enable (as Follower)" button at the bottom of the screen.
 - b. The scoreboard will display **FOLL** for a few seconds
9. Close the software and disconnect you WTTC, WA-3 or WA-2.

Setting Time of Day and Changing Channel with Wireless Tabletop Controller (WTTC)

For tabletop controller (WTTC), enter any sport and press the Menu button. Select "Set Time". Time of Day from WTTC will override the time on the leader and all follower clocks and scoreboards.

To change the channel and PAN, select "Scoreboard Options" in the Menu. When finished, press Clear to exit the menu.

Setting Time of Day and Changing Channel with Wireless Handheld Controller (WHC)

For handheld controller (WHC), enter the Menu and select "Time of Day". Time of Day from WHC will override the time on the leader and all follower clocks and scoreboards. To change the channel and PAN, select "Connections"

Time of Day from a Sports Console (Gen 7, System 6, System 5)

Gen7 timers will receive time of day from the attached laptop and transmit that time to leader clocks/scoreboards that are turned on and on the same channel and PAN. You can also manually send time of day from the scoreboard settings screen. The leader will update the followers.

System 6 and System 5 sports consoles will send time of day to leader clocks/scoreboards connected to them via RS-232 or wirelessly from WA-3/WA-2 on the same channel and PAN. The leader will then update the followers.

Troubleshooting

Issue	Solutions
No data appears on the scoreboard	<ol style="list-style-type: none"> 1. Check that the scoreboard is plugged in to a working AC outlet. 2. Check that timer is plugged in and functioning. 3. Check that any cables are firmly attached 4. If using a wireless adapter, consult the user instructions for that adapter, and make sure that all settings (channel, etc.) are configured correctly 5. Ensure that the scoreboard is not “blanked” from the sports timer. Consult your timer’s user’s manual for details.
Expected data does not appear on the scoreboard	<p>Garbled data is displayed: If you are sending data from a sports timer older than the System 6, make sure the timer is set to high speed data rather than low speed data. (The System 6 only sends high speed data).</p> <p>Incorrect or missing data: Make sure the timer’s scoreboard module definitions are set to the default settings.</p> <p>Make sure you only have one active data source at a time. A sport console connected with a wire will override any wireless data sources.</p>

Standards followed

UL 48

Issue:2011/09/02 Ed:15 Rev:2012/05/04 UL Standard for Safety Electric Signs

CAN/CSA C22.2#207

*Issue:1989/01/01 Portable and Stationary Electric Signs and Displays General
Instruction No 1: 1989/10/01 - (R2008)*

FCC 47CFR 15B cIB

Issued: 2015/10/01 Title 47 CFR Part 15 Subpart B Unintentional Radiators Class A Verification

ICES 003

Issue:2004/01/01 Issue No.4 Interference-Causing Equipment Standard, Digital Apparatus



Customer Service Department
www.coloradotime.com
Email: support@coloradotime.com
Phone: +1 970-667-1000
Toll Free U.S. and Canada 800-287-0653
Fax: +1 970-667-1032