



CoLoRado
TiME SYSTEMS.



CoLoRado
TiME SYSTEMS.

| LANE PLACE | | TIME | LANE PLACE | | TIME |
|------------|---|---------|------------|---|---------|
| 1 | 1 | :32.08 | 5 | 5 | 2:42.83 |
| 2 | 8 | 3:01.62 | 6 | 4 | 2:37.36 |
| 3 | 7 | 2:55.71 | 7 | 3 | 2:31.92 |
| 4 | 6 | 2:50.37 | 8 | 2 | 2:26.03 |

Single and Multi-line Numeric LED Scoreboards

Installation Guide



CoLoRado
TiME SYSTEMS

A PLAYCORE Company
F1079 Rev 202604

Manufacturer:
Colorado Time Systems
1551 East 11th Street
Loveland, CO 80537 USA

Sales: 1-800-279-0111 or +1 970-667-1000
Service: 1-800-287-0653 or +1 970-667-1000
Service Fax: 970-667-1032

Web: www.coloradotime.com
Email: support@coloradotime.com

Information in this manual is subject to change without notice. Pictures and illustrations may not accurately depict your product version. Please check our website for the most current information; user manuals are available online in the customer service section of our website.

Table of Contents

| | |
|---|----|
| Introduction | 5 |
| Before You Begin | 5 |
| Scoreboard Package Contents | |
| Scope of this Instruction Guide | 6 |
| Product Specifications..... | 7 |
| Produkt Spezifikationen | 8 |
| Installation/Maintenance | 9 |
| Electrical and Data Cable Requirements..... | 10 |
| Electrical Wiring..... | 10 |
| Duplex Electrical OutletConnections method | |
| Data Cable Wiring | 12 |
| Permanent Data Cabling | |
| Installing the Removable Data Cable | |
| Installing Signage..... | 13 |
| Mounting Your Scoreboard | 13 |
| Preparing Scoreboard Display Lines for Mounting | 14 |
| Mounting Sign Panels | |
| Arranging Scoreboard Display Digits (Multi-line Scoreboards Only) | |
| Setting Display Module Switches (Multi-line Scoreboards Only) | |
| Testing Scoreboard Display Lines | 18 |
| Installing Brackets and Slotted Struts..... | 19 |
| Measurements..... | 19 |
| Dimensions | |
| Marking Scoreboard Locations | |
| Installing Mounting Brackets..... | 20 |
| Multi-line Flat Wall Mount | |
| Multi-line Corner Mount using Universal Brackets | |
| Single-line Flat Wall Mount or Corner Mount | |
| Single-line Flat Wall Mount using “U” Brackets | |
| Mounting and Leveling Slotted Struts | 23 |
| Mounting Slotted Struts | |
| Leveling Slotted Struts | |
| Mounting Scoreboard Display Lines | 25 |
| One-column Flat Wall or Corner Mount | |
| Two-column (Side-by-side) Flat Wall Mount | |
| Optional Slotted Strut Covers | |
| Connecting and Testing Your Scoreboard..... | 28 |
| Linking a Multi-line Scoreboard | |
| Attaching Data Cables | |
| Powering up your Scoreboard | 29 |
| Final Testing | |

| | |
|--|----|
| Troubleshooting | 30 |
| Service..... | 31 |
| Removing a Digit | 31 |
| Removing/Replacing Digits..... | 31 |
| Removing a Digit | |
| Installing a Digit | |
| Removing/Replacing Scoreboard Control Board..... | 33 |
| Removing the Control Board | |
| Installing Control Board | |
| Control Board Test | |

Introduction

Thank you for purchasing a Colorado Time Systems Scoreboard Display. Whether you have chosen light-reflective digits or LED digits, your display will enhance your program and provide exceptional visibility. Best of all, you will never change another light bulb. Designed specifically for the swimming pool environment, your scoreboard's high-quality construction resists corrosion in any environment, giving you years of trouble-free service.

The scoreboard is an integral part of your Colorado Time Systems' sports timer package. It displays results and other information for Swimming, Diving, Water Polo, Synchronized Swimming, Track, and more. It can also be used as a training pace clock in conjunction with your CTS sports timer and Pace Clock software.

Proper installation of your new scoreboard is very important. Please read this installation guide carefully before installing your scoreboard to make sure you have everything you need before beginning. When you are ready to install your scoreboard, carefully follow the step-by-step instructions in this manual. If you should experience any difficulties installing or using your new scoreboard, check the Troubleshooting and Maintenance sections in this manual first. If you are still unable to correct the problem, call Colorado Time Systems' Customer Service Department toll-free at +1-800-287-0653 in the US and Canada, or +1 (970) 667-1000.

Before You Begin

Before you begin to install your new scoreboard, check all parts received against the packing list and your order to ensure that you received all necessary parts. If any parts are missing, call Colorado Time Systems' Customer Service Department toll-free at +1-800-287-0653 in the U.S. and Canada, or +1 (970) 667-1000.

Scoreboard Package Contents

Although each scoreboard package is custom assembled to match the customer's order, many items are always included. The quantity of each item you receive depends on your order. Some items are only included in multi-line scoreboard packages.

- Scoreboard display line(s)
- Sign panel(s)
- Signage transfer(s)
- Sign panel mounting brackets and hardware
- Removable data cable
- Scoreboard link data cables (multi-line only)
- Slotted struts
- Universal mounting brackets
- "U" mounting brackets
- Mounting bracket hardware
- Installation guide

Scope of this Instruction Guide

This installation guide covers all aspects of a normal scoreboard installation. It is not intended to address every possible scoreboard configuration or mounting scheme. It is intended to provide enough information so that you can easily adapt the instructions to meet your specific requirements. This installation guide also includes Troubleshooting and Maintenance sections which cover the most common user correctable problems and maintenance issues.

To find specific information quickly, refer to the Table of Contents at the front of this installation guide. For answers to installation questions or problems not covered here, call Colorado Time Systems' Customer Service Department at +1-800-287-0653 in the U.S. and Canada, or +1 (970) 667-1000.

Product Specifications

Environmental

Temperature: 0°C - 50°C
Humidity: 90% (non-condensing)
Altitude: 0 to 3000 m

Electrical

Supply Voltages:
U.S.
AC Supply: 120 VAC @ 3.0A (Max), 50-60Hz

International

AC Supply: 230 VAC @ (1.5A), 50-60Hz


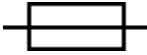

Fuses:

3A, 250V, Time Lag, 5mm x 20mm

Input and Output Connections

SCBD Port: Input - RS-232, ±12V

Symbols

| | | | |
|-------------------------------------|--|------------------------|---|
| Protective Conductor Terminal |  | Fuse |  |
| | | Alternating Current |  |

Produkt Spezifikationen

Umgebung

Temperatur: 0°C - 50°C

Luftfeuchtigkeit: 90% (nicht-kondensierend)

Höhe: 0 bis 3000 m

Elektrizität

Stromversorgung:

U.S.

AC Versorgung: 120 VAC @ 3.0A (Max), 50-60Hz

International

AC Versorgung: 230 VAC @ 1.5A (Max), 50-60Hz

Sicherungen:

3A, 250V, Träge, 5mm x 20mm

Eingänge und Ausgänge

SCBD Eingang: RS-232, ±12V

Installation

Dieses Produkt kann innen und außen benutzt werden. Die Installation der Anzeigetafeln muß nach den Vorschriften der entsprechenden Länder erfolgen.


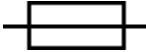

Das AC Stromversorgungskabel sollte geschützt und während des Betriebes nicht zugänglich sein.

Wenn die Anzeigetafeln nicht so installiert werden wie von CTS spezifiziert, kann die Funktion beeinträchtigt werden.

Es gibt keine weiteren notwendigen Service-Wartungsarbeiten für die Anzeigetafelserie als die im Handbuch angeführten Positionen.

Die Anzeigetafel-Serie darf nur von autorisiertem Personal oder von der Firma Colorado Time Systems installiert werden.

Symbole

| | | | |
|----------------------|---|--------------|--|
| Schutzleiteranschluß |  | Sicherung |  |
| | | Wechselstrom |  |

Installation/Maintenance

This product is intended to be used in an indoor or outdoor swimming pool environment. When the scoreboard is operated in the U.S. it must be used in accordance with the National Electric Code. When the scoreboard is operated elsewhere it must be used in accordance with all appropriate national and local electrical codes and regulations for the country of installation. The AC power cord should not be accessible during normal operations. Connect only to a circuit that is protected by a ground-fault circuit interrupter (GFCI).

These scoreboards are equipped with a 3-wire grounding-type plug, a plug having a third (grounding) pin. This plug will only fit into a grounding-type power outlet. This is a safety feature. If you are unable to insert the plug into the outlet, contact a qualified electrician to replace your obsolete outlet. Do not defeat the purpose of the grounding-type plug.

Using these scoreboards in a manner not specified by Colorado Time Systems may cause the protection provided by the equipment to be impaired.

Other than those maintenance items described in the user manual, there are no user serviceable parts on these scoreboards. When servicing those parts shown in the user manual, use only replacement parts specified.

When replacing fuses or any similar servicing of the unit, make sure the unit is unplugged.

It is recommended that these scoreboards be installed by Colorado Time Systems personnel. However, if you have chosen to install the board without a CTS technician and you experience difficulties, check the Troubleshooting and Maintenance sections in this manual first. If you are still unable to correct the problem, call Colorado Time Systems' Customer Service Department toll-free at +1-800-287-0653 in the U.S. and Canada, or +1 (970) 667-1000 for assistance or to schedule a technician for your installation

Electrical and Data Cable Requirements

This chapter contains instructions for electrical and data cable wiring which must be completed before you install your scoreboard. Follow these instructions carefully

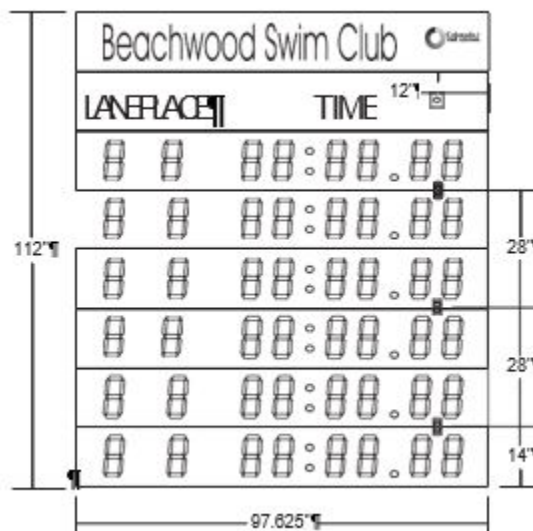
Electrical Wiring

Note: All electrical wiring must be carried out in accordance with the applicable national, state and local electrical codes. **All electrical wiring should be done by a qualified electrician.**

This section contains the Colorado Time Systems' recommended methods of providing power to your new scoreboard. Follow these recommendations during your installation.

Duplex Electrical Outlet Connections method

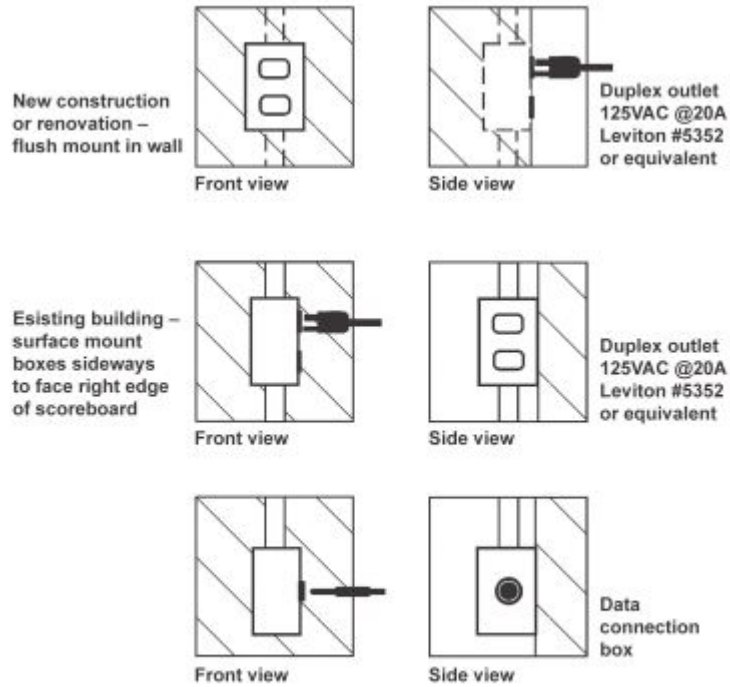
- 1) For every two scoreboard lines, provide a duplex electrical outlet located as indicated in the six-line example in Figure 2-A. Following this recommended arrangement makes for a clean wiring layout and offers a convenient source of power at each module for test and service equipment.



Location of duplex outlets Figure 2-A

- 2) Mount the duplex electrical outlets as shown in Figure 2-B. If your pool is under construction or renovation, flush mounting with wiring inside the walls is the recommended method. Otherwise, surface mounting of conduit and outlets is acceptable. Note the orientation of the outlet boxes if surface mounted as shown in Figure 2-B

As with any computer equipment, your scoreboard requires dedicated electrical service lines. If you are unsure how to provide dedicated electrical lines to your scoreboard, consult a qualified electrician.



Orientation of duplex outlets and data connection box
Figure 2-B

- 3) Mount the scoreboard On/Off switch near the scoreboard, six to seven feet above the floor, or in the timing booth. Scoreboard switches located in the pump room or other inconspicuous locations can lead to premature scoreboard failure because the scoreboards are left on continuously. Mounting the On/Off switch near the scoreboard or in the timing booth is also helpful for service personnel who must be able to turn the scoreboard on and off as needed
- 4) When all electrical wiring is completed, proceed to the next step.

Data Cable Wiring

There are two ways to accomplish data transmission to the scoreboard. You can use the removable two-wire data cable provided with your scoreboard, or you can install the data cable permanently in conduit using one-inch conduit from the scoreboard location to a 12" x 12" x 6" box at the nearest timing location. Select the data cabling method you would like to use and follow the appropriate instructions to install it.

Permanent Data Cabling

- 1) Place one Data Connection Box in the timing booth. The exact location of this connection is not critical and should be determined by the configuration of your timing booth. Choose a convenient location near the timing table. The main consideration is to make it easy for you to run the cable from your Colorado Time Systems' Sports Timer to the Data Connection Box. Install the Data Connection Box in the selected location.
- 2) Route conduit to the place where you will be installing your scoreboard. If your pool is under construction or renovation, install the conduit inside the walls.
- 3) Mount the scoreboard Data Connection Box at either the top or bottom of your scoreboard location. Figure 2-A shows the Data Connection Box mounted at the top, in line with the duplex electrical outlets. As with the electrical outlets, the Data Connection Box may be mounted flush or on the surface of the wall.

Installing the Removable Data Cable

- 1) You do not need to install the removable data cable before installing your scoreboard. In some instances, it may be more convenient to do so, in others, the data cable may just be in the way when you are installing your scoreboard. Your situation will determine whether to install now or later.
- 2) Route the removable data cable supplied with your scoreboard from the timing booth to the scoreboard. Be sure the cable is not in a location where it can be tripped over. Secure the cable with tape if necessary. This is especially important if you intend to leave the removable data cable in place for an extended period of time.
- 3) Route the data cable either to the top or bottom of your scoreboard location. It can be attached to the scoreboard at either location.

Installing Signage

Before you mount your scoreboard, it is recommended that you put the signage on the sign panels.

This procedure requires a felt-tip marker and masking tape. A rubber roller is also helpful but is not necessary.

- 1) Locate all sign panels and signage included in your scoreboard package.
- 2) Your signage is delivered sandwiched between a carrier paper on the bottom and a transfer paper on the top. Use a felt-tip marker to draw a line on the transfer paper at the bottom of the words on the signage.
- 3) Place the signage in its relative position on the sign panel.
 - a. The sign panel slides into two grooves (top and bottom) on a separate scoreboard module.
 - b. Measure the depth of the groove(s). Make sure the signage is positioned so that no part of any word will be obscured by the mounting groove or the frame of the scoreboard display line.
- 4) Align the signage evenly across its length at the desired height above the appropriate scoreboard digits. Tape the entire right edge of the signage to the scoreboard panel with masking tape.
- 5) Beginning at the left edge and working toward the right, lift the transfer paper and signage away from the bottom carrier paper. When you reach the right edge of the signage, remove the carrier paper entirely, being careful not to lift the tape at the right edge of the signage.
- 6) Beginning at the right edge and working toward the left, re-apply the signage and transfer paper evenly to the sign panel using a rubber roller or the heel of your hand.
- 7) After applying the signage, go over it again with the roller or your hand with more pressure to secure it in place.
- 8) When you are satisfied that the signage has adhered to the sign panel in the desired position, slowly and carefully remove the transfer paper from the signage.
- 9) Handle the sign panels carefully for a couple of days until the adhesive sets fully, after which the signage is secure.
- 10) Set the sign panel you just completed in a location away from the work area where it will not be disturbed. You will need it later.
- 11) Repeat the process for each remaining piece of signage.

Mounting Your Scoreboard

This chapter contains instructions for mounting your scoreboard in a variety of configurations. Since each scoreboard installation is customized to fit your needs, only representative installations can be shown here. If after carefully reading these instructions you are unsure how to install your scoreboard, call Colorado Time Systems' Customer Service toll-free at +1-800-287-0653 in the U.S. and Canada, or +1 (970) 667-1000.

Preparing Scoreboard Display Lines for Mounting

This section contains all instructions for preparing your scoreboard display line(s) for mounting. Make all preliminary preparations on the ground before installing your scoreboard display lines. Once installed, it is more difficult to make changes to scoreboard display lines.

Mounting Sign Panels

This section explains how to mount sign panels on your scoreboard display lines. It is usually more convenient to mount the sign panels before installing your scoreboard display lines.

Note: You should install your signage on each sign panel before installing the signpanels on the scoreboard display lines. See page 2-4 above for instructions.

Locate the extra sign panel module(s) and set aside for installation with the rest of your modules. Continue on to the following sections for configuring your scoreboard module(s) and install your sign panel module(s) at the same time and in the same manner as the rest of your modules. The sign panels themselves slide into the modules.

Arranging Scoreboard Display Digits (Multi-line Scoreboards Only)

Before installing your scoreboard display lines, you may need to arrange the digits to match your signage. All scoreboard display lines leave the factory arranged in a standard configuration as shown in the one-line scoreboard in Figure 3-C. Scoreboard lines with eight digits are arranged to display one lane digit, one place digit, and six time digits with colon. Scoreboard lines with 10 digits are arranged to display two lane digits, two place digits, and six time digits with colon.

If you need to slide the digits' position(s), determine where you want the digits on each scoreboard display line before you begin moving them. Examples of some typical scoreboards appear in Figure 3-C. While it's fine to slide the digits along the track, do not change the order of the digits -if you do, the scoreboard will not operate properly. Do not remove any digits, as leaving unused digits in the scoreboard frame keeps digit spacing correct and keeps the digits available for later or emergency use.

Note Shut off power to the score board prior to moving any digits and wait at least one minute for all internal power to discharge.

For specific scoreboard examples, refer to your Colorado Time Systems' timer software user guide(s). The user guide for each sport contains a section showing examples of scoreboard digit arrangement and signage.

- 1) To move digits on a scoreboard display line, slide the weather shield to the left to expose the digits you want to rearrange. If necessary, remove the weather shield and set it aside, being careful not to scratch it.
- 2) The digits and spacers rest in grooves that run the length of the scoreboard frame, top and bottom. To remove a spacer, lift it straight up until the lower lip clears the groove at the bottom. Tilt the bottom of the spacer away from the scoreboard frame, lower the spacer until the top lip clears the scoreboard frame, and remove the spacer.
- 3) Remove spacers, and slide digits as necessary to make the arrangement you need. Don't change the order of the digits or remove them.
- 4) When you are done arranging the scoreboard display line, re-install all the spacers by reversing the process described in step 2. Re-install the weather shield on the scoreboard frame.

5) Repeat steps 1-4 for each scoreboard display line that needs to be arranged.

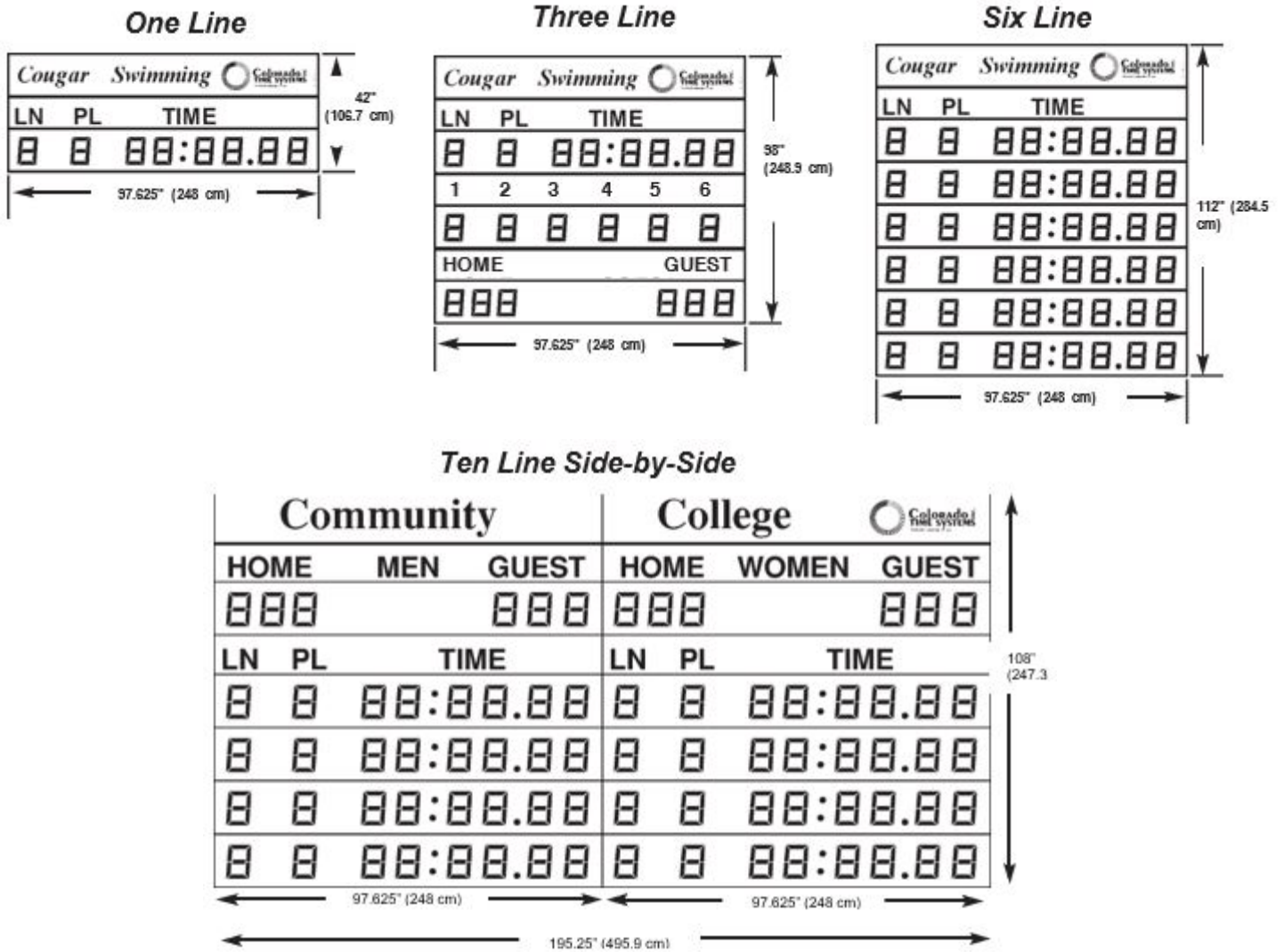


Figure 3-C Typical Scoreboard Configurations

Setting Display Module Switches (Multi-line Scoreboards Only)

All scoreboard display lines leave the factory set to display data from module 0F. If you have a multi-line scoreboard, you must set the module switch in each scoreboard display line to the code corresponding to the data you want that line to display. Setting the module switch is not difficult, but must be done correctly. Please read this section carefully before setting the module switches.

Before beginning, make sure you know the module number for the information you want each scoreboard display line to display. Examples of every available scoreboard module appear in Colorado Time Systems' software user guides, for example, Swimming, Diving, or Water Polo. After consulting the software user guide for the program(s) you will be using this scoreboard with, decide which module each scoreboard display line will display. Write down the module numbers you will be using. You may find it extremely helpful to attach a note with the appropriate module number to each scoreboard display line to be set.

Now that you know what modules you want to display, follow these steps to set the scoreboard display lines to match:

- 1) Slide the weather shield to the left to expose the digits on the right end of the scoreboard display line. The control board, which contains the module switch, is behind two of the scoreboard's digits:
 - Older 8-digit LED: digits 7 and 8 (the rightmost digits)
 - Newer 8-digit LED and 10-digit LED: digits 4 and 5 (the center digits)
- 2) Remove these two digits from the scoreboard frame as follows: The digits rest in a groove that runs the length of the scoreboard frame, top and bottom. To remove a digit, lift the digit straight up until the lower lip of the PCB clears the groove at the bottom of the scoreboard frame. Tilt the bottom of the digit away from the scoreboard frame, lower the digit until the top lip clears the scoreboard frame, and remove the digit.

Note: Do not allow digits to hang from their wiring! The best way to support a temporarily removed digit is to turn the digit around and rest its lower lip in the weather shield groove on the scoreboard frame.

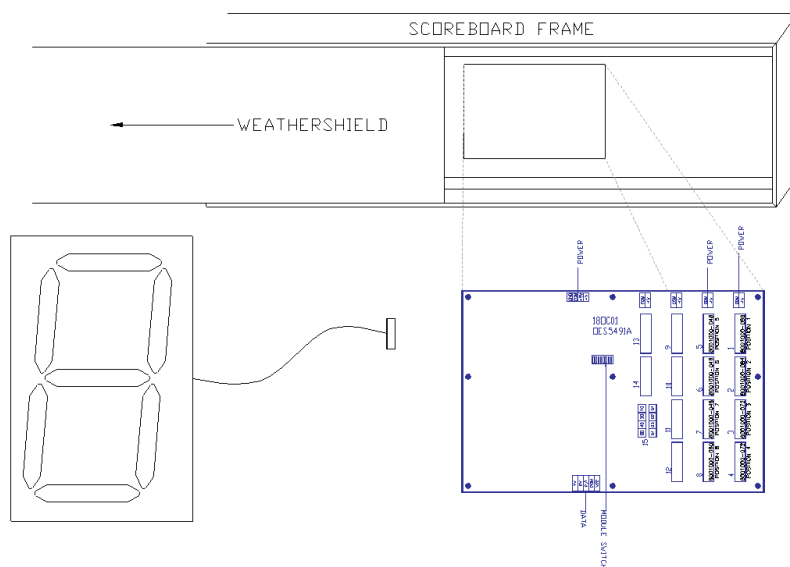


Figure 3-D Scoreboard Control Boards

- 3) The control board, as shown in Figure 3-D, is now visible. Note the location of the module switch. Refer to the chart inside the scoreboard frame module switch settings. Charts for module switch settings for the various revisions of scoreboards are also available on our website, www.coloradotime.com, in the customer service section.
- 4) Using a pen or small screwdriver, carefully set the switches to the proper position for your needs.
- 5) Check your work against the chart in the scoreboard frame or from the Colorado Time Systems website.
- 6) When you have set the module switch correctly, replace the digits in their proper order and slide the weather shield back over the scoreboard display line.
- 7) Repeat steps 1-6 for all remaining scoreboard display lines.

Installing Brackets and Slotted Struts

This section contains instructions for installing the mounting brackets to the wall of your building and mounting the slotted struts which hold your scoreboard to the mounting brackets. Follow these instructions carefully!

Measurements

The first step in installing the mounting brackets and slotted struts is to determine where to install them. Measure carefully and check your work before installing the mounting brackets.

Note: Before you can begin taking measurements, you must know exactly the configuration of your scoreboard, including the number and placement of all scoreboard display lines and sign panels.

Dimensions

Height: 14 inches (35.6 cm) Length: 97.625 inches (248 cm)

- 1) Add up the total height of all scoreboard display lines and sign panels other than the top sign panel in each display column.
- 2) Select the vertical placement of the scoreboard on the wall. Be aware that the lower scoreboards are mounted the easier they are to service. Choose a vertical location no higher than necessary to provide good visibility and discourage vandalism.

Marking Scoreboard Locations

The bottom of the scoreboard should be a minimum of eight feet above the floor to discourage vandalism.

- 1) Mark the wall where the top right and top left corners of the highest scoreboard display line will be located. If installing a two-column (side-by-side) scoreboard, also mark the top of the center line between the two scoreboard columns.
- 2) Mark the bottom right and bottom left corners of the lowest scoreboard display line.

Note: For corner-mounted scoreboards (one column only), all marks should be 67.875 inches (172.4 cm) out from the corner. See Figure 3-H for an example.

For one-column scoreboards, you should now have four marks on the wall indicating the corners of the entire scoreboard. For two-column (side-by-side) scoreboards, you should have six marks on the wall, four indicating the corners of the entire scoreboard, and two marking the center line of the scoreboard.

Measure the distance between each set of top marks and bottom marks. Then measure the slotted strut supplied with your scoreboard. The two measurements should be the same. If there is a major difference between the two dimensions, make sure you have accounted for all signage mounted between scoreboard display lines. If you still cannot reconcile the two measurements, call CTS's Customer Service toll-free at +1-800-287-0653 in the U.S. and Canada, or +1 (970) 667-1000, before proceeding

Installing Mounting Brackets

This section contains instructions for installing the mounting brackets on the wall. Each type of scoreboard and mounting bracket has a separate sub-section. Locate the type of scoreboard you are installing and follow the instructions for it. If you are unsure about your scoreboard type or which mounting brackets to use, call Colorado Time Systems' Customer Service toll-free at +1-800-287-0653 in the U.S. and Canada, or +1 (970) 667-1000 before proceeding.

Note: Do not over-tighten concrete inserts. Torque only to 10 in/lbs.

Multi-line Flat Wall Mount

These instructions apply to both one and two-column scoreboard installations using "U" or universal brackets.

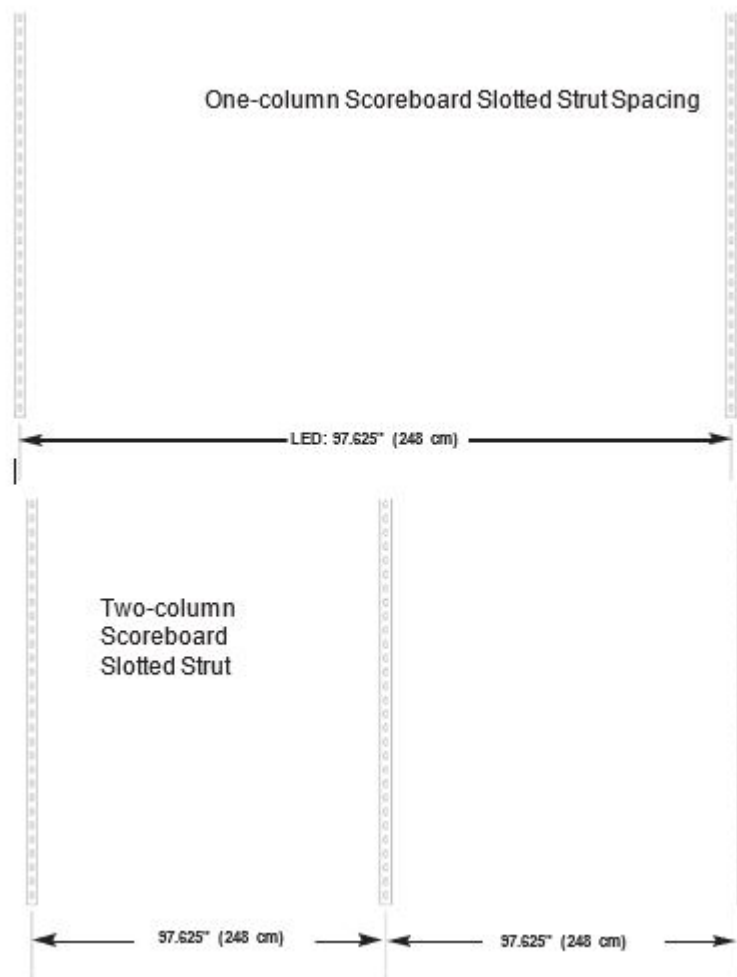


Figure 3-F Slotted strut Spacing

- 1) From the top marks, measure down 6 to 8 inches (15.2 to 20.3 cm) and make an "X" to indicate the location of the top brackets.
- 2) From the bottom marks, measure up 6 to 8 inches (15.2 to 20.3 cm) and make an "X" to indicate the location of the bottom brackets.

- 3) The maximum vertical spacing between brackets is 66 inches (167 cm), or four scoreboard display lines and one sign panel. Add additional brackets between the top and bottom brackets at intervals of 66 inches (167 cm) or less.
- 4) Carefully mark the locations of the holes in the selected mounting brackets. Check the locations of all mounting brackets and drill-holes. Refer to Figures 3-I and 3-J to check horizontal spacing between brackets.
- 5) When you are sure all marks are accurate, drill mounting holes 2.5 inches (6.4 cm) deep, install mounting hardware in holes, and mount brackets on hardware as shown in Figure 3-G. Make sure all hardware is secured to 10 in/lbs torque. Do not overtighten concrete inserts.

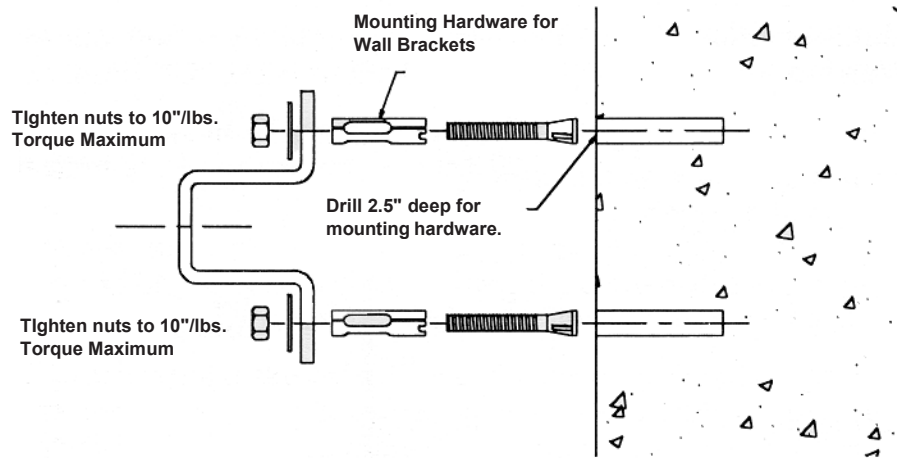


Figure 3-G Install Mounting bracket hardware

Multi-line Corner Mount using Universal Brackets

Only one-column multi-line scoreboards can be installed in a corner. Two-column scoreboards must be installed on a flat wall using slotted struts as described above, or you must provide your own special frame for corner mounting.

- 1) From the top marks, measure down 6 to 8 inches (15.2 to 20.3 cm) and make an "X" to indicate the location of the top brackets.
- 2) From the bottom marks, measure up 6 to 8 inches (15.2 to 20.3 cm) and make an "X" to indicate the location of the bottom brackets.
- 3) The maximum vertical spacing between brackets is 66 inches (167 cm), or four scoreboard display lines and one sign panel. Add additional brackets between the top and bottom brackets at intervals of 66 inches (167 cm) or less.
- 4) Carefully mark the locations of the holes in the selected mounting brackets. Check the locations of all mounting brackets and drill-holes. Refer to Figure 3-H to check horizontal spacing between brackets.
- 5) When you are sure all marks are accurate, drill mounting holes 2.5 inches (6.4 cm) deep, install mounting hardware in holes, and mount brackets on hardware as shown in Figure 3-G. Make sure all hardware is secured to 10 in/lbs torque. Do not overtighten concrete inserts.

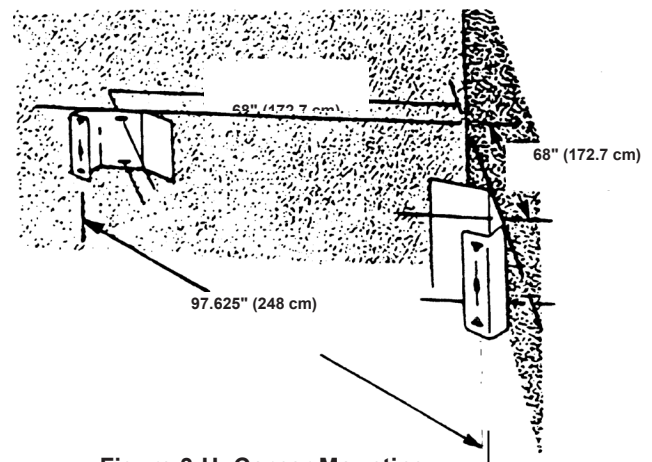


Figure 3-H: Corner Mounting

Single-line Flat Wall Mount or Corner Mount

- 1) From the top marks, measure down 7 inches (17.8 cm) and make an "X" to indicate the center of the brackets.
- 2) Carefully mark the locations of the holes in the selected mounting brackets. Check the locations of all mounting brackets and drill-holes. Note that the mounting holes for Universal brackets on a flat wall mount are 87.625 inches (222.6 cm) apart for LED boards. Refer to Figure 3-H to check corner-mount horizontal spacing between brackets. Refer to Figure 3-I to check flat wall mount horizontal spacing between brackets.
- 3) When you are sure all marks are accurate, drill mounting holes 2.5 inches (6.4 cm) deep, install mounting hardware in holes, and mount brackets on hardware as shown in Figure 3-G. Make sure all hardware is secured to 10 in/lbs torque. Do not overtighten concrete inserts.

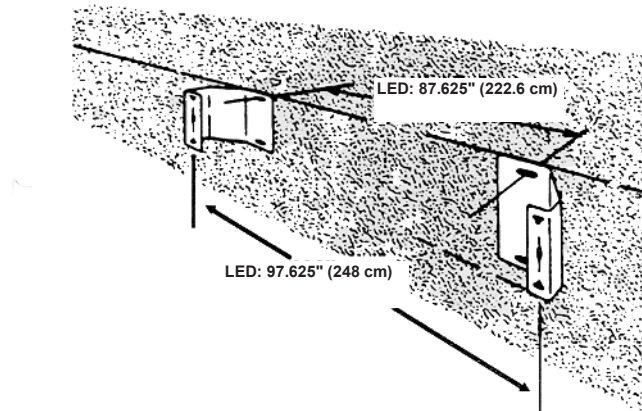


Figure 3-I: Flat wall mount using universal brackets

Single-line Flat Wall Mount using "U" Brackets

- 1) From the top marks, measure down 3 inches (7.6 cm) and make an "X" to indicate the center of the top brackets.
- 2) From the bottom marks, measure up 3 inches (7.6 cm) and make an "X" to indicate the center of the bottom brackets.
- 3) Carefully mark the locations of the holes in the selected mounting brackets. Check the locations of all mounting brackets and drill-holes. Refer to Figure 3-J to check horizontal spacing between brackets.
- 4) When you are sure all marks are accurate, drill mounting holes 2.5 inches (6.4 cm) deep, install mounting hardware in holes, and mount brackets on hardware as shown in Figure 3-G. Make sure all hardware is secured to 10 in/lbs torque. Do not overtighten concrete inserts.

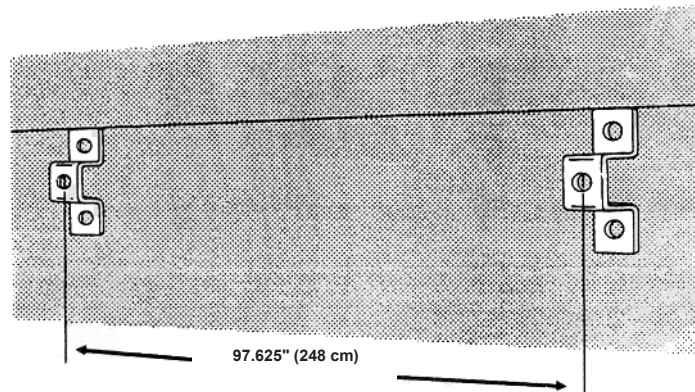


Figure 3-J Flat wall mount using U brackets

Mounting and Leveling Slotted Struts

This section explains how to mount and level the slotted struts on which your scoreboard display lines will be installed. The slotted strut mounting procedure is the same for both types of brackets

Mounting Slotted Struts

- 1) Align the slotted struts with the top and bottom marks you made for your scoreboard.
- 2) Using the supplied bolts, washers, and nuts, attach each slotted strut as shown in Figure 3-K to the top and bottom mounting brackets only. Tighten the bolts.

Note: If your installation uses more than two mounting brackets, install the mounting hardware as shown in Figure 3-K but do not tighten the bolts until you have leveled the slotted struts.

Leveling Slotted Struts

Before fully tightening all slotted strut mounting hardware, you must level the slotted struts.

- 1) Tighten the top and bottom slotted strut bolts if you have not already done so. Leave additional slotted strut bolts loose.
- 2) Mount the bottom scoreboard display line, sliding the scoreboard display line's mounting brackets into the slotted strut as shown in Figure 3-L.

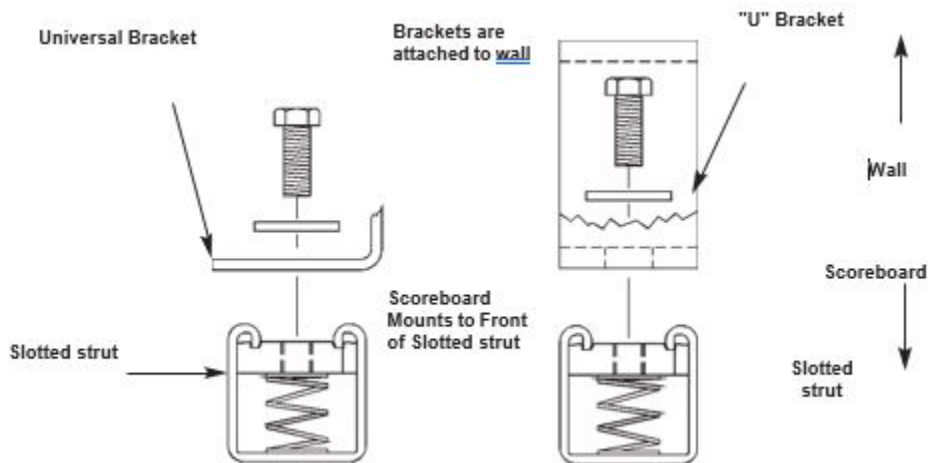


Figure 3-K: Attaching slotted strut to bracket, Top View

- 3) Place a level on top of the scoreboard display line. If it is not level, either remove the scoreboard display line from the slotted strut or support it in place before attempting to adjust the slotted struts.
- 4) To level the scoreboard display line, loosen the slotted strut mounting bolts and move the slotted strut up or down as necessary.

- 5) When the bottom scoreboard display line is level, tighten all slotted strut mounting hardware securely. All remaining scoreboard display lines will now be level when installed.

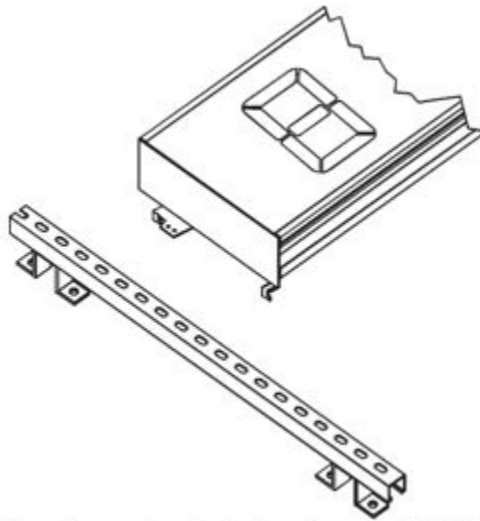


Figure 3-L: Mount scoreboard display line on slotted struts

- 6) If you are installing a two-column (side-by-side) scoreboard, complete steps 1- 5 for the left column. Repeat the procedure for the right column, but do not loosen the center slotted strut as that will change the left column as well. See Figure 3-N for an example of side-by-side mounting.
- 7) Leave the bottom scoreboard display line mounted. Follow the instructions in the next section to mount the remaining scoreboard display lines.

Mounting Scoreboard Display Lines

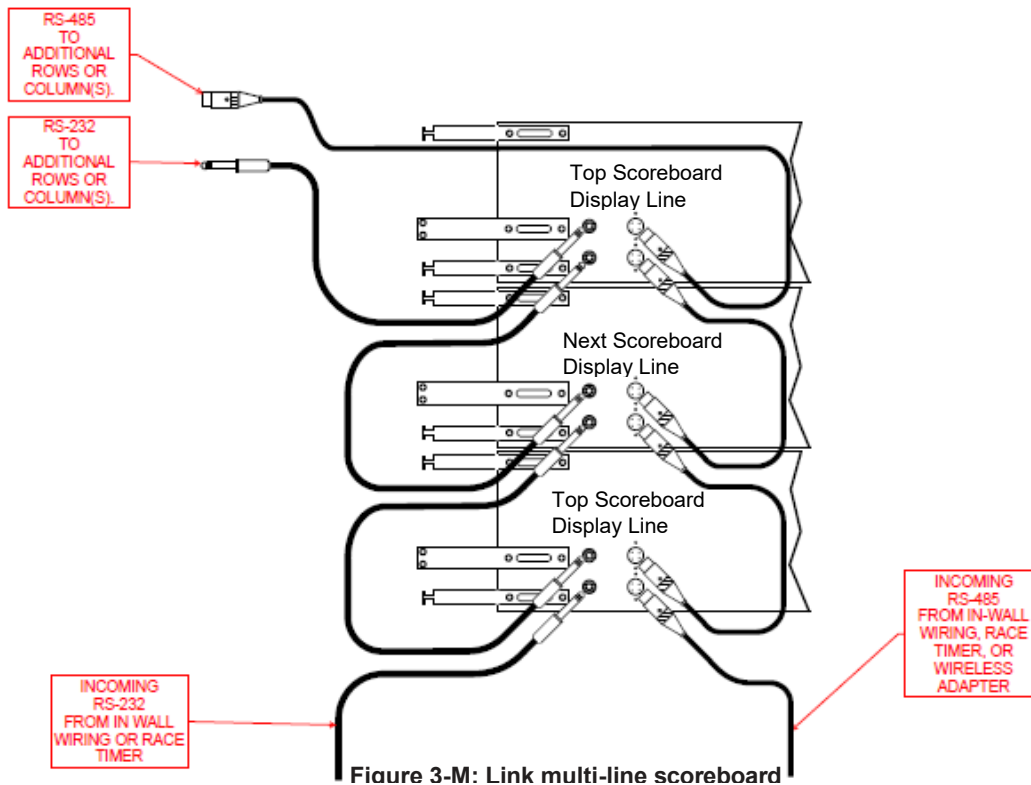
This section describes how to mount your configured scoreboard display lines in one- and two-column (side-by-side) styles. Before installing your scoreboard display lines, make sure you know the exact order in which they are to be installed. Arrange them on the floor in order, from bottom to top, to make sure you install each line in its proper place the first time.

One-column Flat Wall or Corner Mount

- 1) Begin with the bottom scoreboard display line. Lift the scoreboard display line to the slotted struts. Line up the bottom of the scoreboard display line with the bottom of the slotted struts.
- 2) Insert the scoreboard display line's bracket tabs into the slots on the slotted strut as shown in Figure 3-L.
- 3) Carefully allow the scoreboard display line to settle into place.

Note Do not let go of the scoreboard display line until you are sure it is securely held in place by the slotted strut.

- 4) Take one of the short data cables included with your scoreboard package. Attach one connector to the open data input connector on the just installed scoreboard display line. Attach the other end of the data cable to the next higher scoreboard display line after installing it. When you are finished with the entire installation, all scoreboard display lines should be linked as shown in Figure 3-M.



- 5) Plug the power cable from the just-installed scoreboard line into the nearest power outlet.
- 6) Repeat steps 1-5 for all remaining scoreboard modules.

Two-column (Side-by-side) Flat Wall Mount

- 1) Begin with the bottom scoreboard display module on one side. Lift the scoreboard display line to the slotted struts. Line up the bottom of the scoreboard display line with the bottom of the slotted struts.
- 2) Insert the scoreboard display line's bracket tabs into the slots on the slotted strut as shown in Figure
- 3) Carefully allow the scoreboard display line to settle into place.\

Note: Do not let go of the scoreboard display line until you are sure it is securely held in place by the slotted strut.

- 4) Lift the other bottom scoreboard display line to the empty slotted struts.
- 5) Follow steps 1-3 for this scoreboard display line, but note how the scoreboard display line's mounting tabs align on the center slotted strut as shown in Figure 3-N.

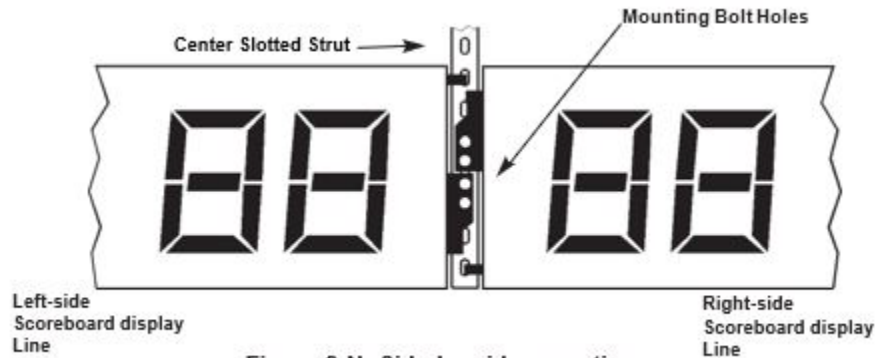


Figure 3-N: Side-by-side mounting

- 6) Take one of the short data cables included with your scoreboard package. Attach one connector to the open data input connector on the just installed scoreboard display line. Attach the other end of the data cable to the next higher scoreboard display line after installing it.
- 7) Plug the power cable from the just-installed scoreboard line into the nearest power outlet.
- 8) Repeat steps 1-7 for all remaining scoreboard display lines. When you are finished with the entire installation, connect columns of scoreboard display lines to each other with data cable(s). All scoreboard display lines should be linked as shown in Figure 3-M.
- 9) When all scoreboard display lines are mounted, secure each display line to the slotted strut using the included 3/8 x 1-inch bolts, washers, and nuts. The bolt hole locations are shown in Figure 3-N.

Optional Slotted Strut Covers

Custom vinyl-clad aluminum covers designed to conceal the slotted strut score-

board mounts from view are available as an option to enhance the appearance of your scoreboard. Please contact Colorado Time Systems' Sales Department at 800-279-0111 x250 for product and ordering information. If you purchased the optional slotted strut covers, follow the mounting instructions below.

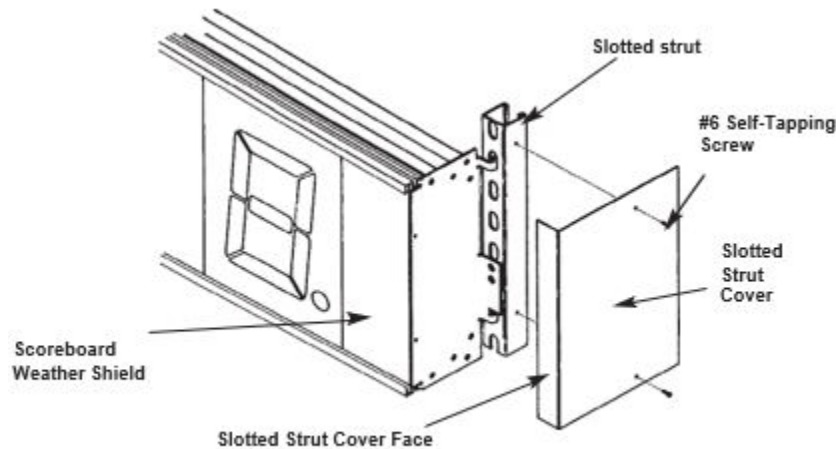


Figure 3-0: Installing optional slotted strut cover

- 1) Position the cover over the slotted strut on one of the outside edges of your scoreboard, aligning the front face of the cover behind the scoreboard weather shield slot as shown in Figure 3-0.
- 2) Drill a 7/64-inch hole near the top of the cover, through both the cover and one wall of the slotted strut.
- 3) Install one of the #6 self-tapping screws supplied with your slotted strut cover package in the hole. Do not over-tighten the screw.
- 4) Install additional screws every 1-2 feet along the cover to secure it in place.
- 5) Repeat steps 1-4 for the other slotted strut cover(s)

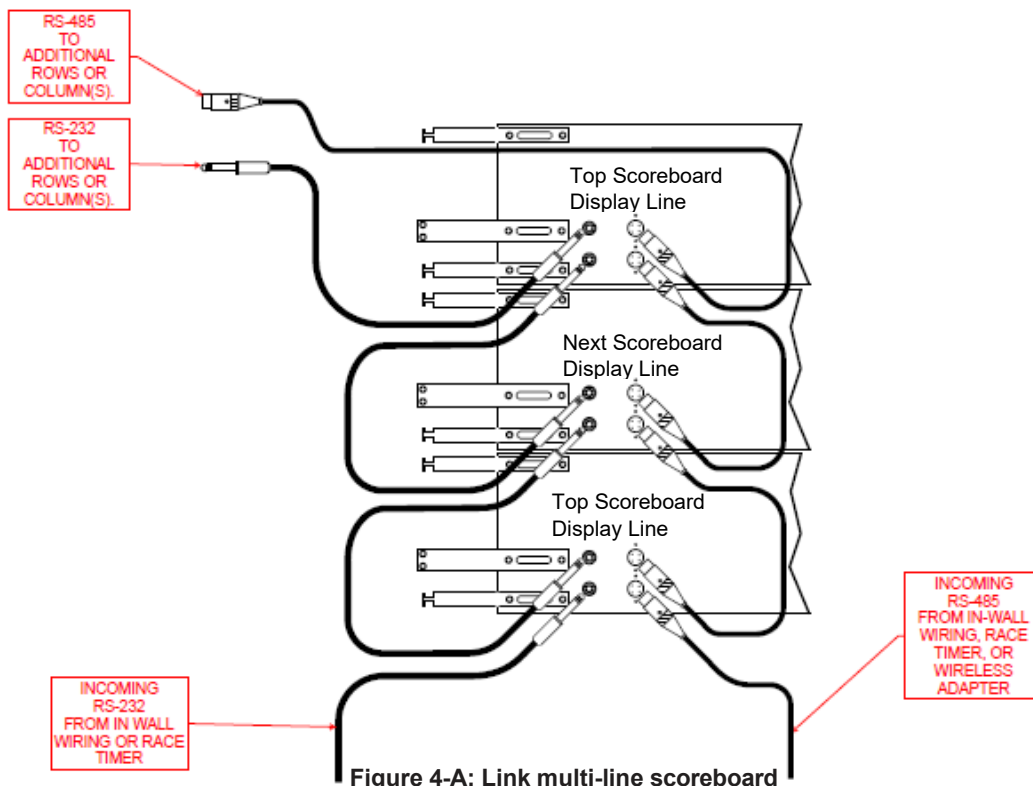
Connecting and Testing Your Scoreboard

This chapter explains how to complete the final connection of your newly installed scoreboard and how to test it to make sure it is receiving data from your timer.

If you are installing a single-line scoreboard, skip to page 4-2. If you have just installed a multi-line board according to the instructions in Section 3, you've already linked the scoreboard lines together, and can also skip to page 4-2. Otherwise, follow these instructions:

Linking a Multi-line Scoreboard

- 1) Take one of the short data cables included with your scoreboard package. Starting either at the top or bottom line of your scoreboard, attach one end of the cable to one of the data input connectors on the back of the board. Attach the other end of the cable to either data input connector on the next higher or lower scoreboard display line.
- 2) Working your way down if you started at the top, or up if you started at the bottom, repeat the process until all scoreboard display lines are linked as shown in Figure 4-A. If your installation has side-by-side display lines, link the columns of display lines together as well.



Attaching Data Cables

Before you can use your new scoreboard, you must attach the data cable from your sports timer to the scoreboard.

If you are using a Data Connection Box:

- 1) Attach one end of a length of data cable to the Data Connection Box.

- 2) For a single-line scoreboard, attach the other end to a data input connectors on the back of scoreboard (it doesn't matter which one).

For a multi-line scoreboard, attach the other end to the open data input connector on either the top or bottom line of your board.

See Figure 4-A for the location of these connectors.\

- 3) Attach one end of another data cable to the Data Connection Box in the timing booth and attach the other end to the Scoreboard output on your Colorado Time Systems' Sports Timer.

If you are using the removable data cable included with your scoreboard package:

- 1) For a single-line scoreboard, attach one end of the data cable to one of the data input connectors on the back of your scoreboard (it doesn't matter which one).

For a multi-line scoreboard, attach one end of the data cable to the open data input connector on either the top or bottom line of your board.

See Figure 4-A for the location of these connectors.

- 2) Attach the other end of the data cable to the Scoreboard output on your Colorado Time Systems' Sports Timer.

Powering up your Scoreboard

The next step is to power up your scoreboard. If the scoreboard power switch is off, turn it on after plugging in all scoreboard display lines. Make sure each line displays the correct module codes as part of the power-up process. You are now ready to test your scoreboard with data from your Colorado Time Systems' Sports Timer.

Final Testing

Now that your scoreboard is installed, connected to receive data, and powered up, turn on your Colorado Time Systems' Sports Timer and begin testing your scoreboard.

- 1) If you are using the System 5/6 Swimming program, make sure all lanes for which you have a scoreboard line are turned on on the timer and press Start. The running time should be displayed on all lane display lines.
- 2) You may also use the Scoreboard Test feature of your timer or program to test your new scoreboard.
- 3) Regardless of the program you use, be sure to test every module for proper data display. If the scoreboard does not display data correctly, turn to the Troubleshooting section on page 5-1 for more information. You may also need to review the sections in Chapter 3 which cover digit arrangement and module switch setting.

When you are done testing your scoreboard, remember to turn off the scoreboard using the wall-mounted On/Off switch.

Troubleshooting

| Symptom | Action |
|--|--|
| <p>Scoreboard does not display any information, including module code, when scoreboard is reset.</p> | <ol style="list-style-type: none"> 1) Make sure the outlet has power. Either plug the malfunctioning scoreboard display line into an outlet that you know has power or test the suspect outlet by plugging a working scoreboard display line or utility lamp into it. If the outlet supplies no power, check circuit breakers and/or call your electrician. 2) Reset scoreboard. Remove power (unplug scoreboard module being tested), wait 10 seconds, and re-apply power. Check for proper internal reset sequence as explained on page 3-6, "Testing Scoreboard Display Lines." Turn off power to the whole scoreboard before proceeding, for your safety and to prevent damage to the digits or the control board. 3) Check the fuse(s) for the malfunctioning display line. Once you have located a fuse, as described below, inspect the fuse. If the fuse wire is broken, the fuse is blown. If not, the fuse is probably good. Your electrician can check the fuse to make sure. Replace a blown fuse only with one of the exact same type and current rating. To access the fuse(s), slide the weather shield to the left to expose the digits on the right end of the scoreboard display line. The fuse locations vary with the style of display line: -10-digit and newer 8-digit LED displays have only one fuse to check: Remove digit 8 (the rightmost digit), following the instructions beginning on page 5-3, "Removing a Digit." The fuse is an inline fuse in the wiring to the right of the digits. Follow the wiring until you reach the fuse, twist the fuse holder to open it, and check the fuse. Put the fuse back if it is good, or replace a blown fuse with one of the same type and current rating. -Older 8-digit LED displays have 2 fuses to check: Remove digits 7 and 8 (the rightmost digits), following the instructions beginning on page 5-3, "Removing a Digit." The first fuse to check is an inline fuse in the wiring to the right of the digits. Follow the wiring until you reach a fuse, twist the fuse holder to open it, and check the fuse. Put the fuse back if it is good, or replace a blown fuse with one of the same type and current rating. The other fuse is on the control board, which is behind digits 7 and 8. The fuse is a snap-in fuse located in the top center of the board. Snap out the fuse and check it. Put the fuse back if it is good, or replace a blown fuse with one of the same type and current rating. 4) If replacing the fuse has no effect and you are sure the outlet has power, call Customer Service for assistance. |
| <p>Scoreboard displays module codes when reset but does not display data.</p> | <ol style="list-style-type: none"> 1) Check all data cable connections. 2) Make sure you do not have some modules or the entire scoreboard blanked on your Colorado Time Systems' Sports Timer. All Colorado Time Systems' timing software allows you to blank individual modules or the entire scoreboard from the timer. 3) Call Customer Service for further assistance. |
| <p>Scoreboard displays the wrong data</p> | <ol style="list-style-type: none"> 1) Check the module code switch on the problem scoreboard display line's control board. Make sure it is set to the desired module number. (See "Setting Display Module Switches") 2) Check the Define Module screen in your timing software. All Colorado Time Systems' software allows the timer operator to send data to any module from the timer. |

If the problem you are experiencing is not mentioned in the Troubleshooting guide or the recommended steps do not solve the problem, contract Customer Support toll-free at 800-287-0653 (U.S. and Canada) or 970-667-1000 for assistance or email support@coloradotime.com.

Service

This section contains scoreboard service information. The design of your

scoreboards makes regular preventive maintenance unnecessary. However, to ensure maximum scoreboard life, you must turn off your scoreboard when it is not in use. Leaving your scoreboard on continuously will shorten its operating life.

Most of this section is devoted to removal and replacement of scoreboard parts. This frequently involves removing a digit or digits, either to work on the digit(s) or to move them out of the way in order to access other scoreboard parts.

Removing a Digit

Before removing or replacing a digit, unplug the scoreboard display line(s) you will be working on.

When removing digits, treat them gently, and follow these steps:

1. Remove screws holding weather shield in place. Slide the weather shield to the right or left until the digits to be removed are exposed.
2. The digits rest in a groove that runs the length of the scoreboard frame, top and bottom. To remove a digit, lift it straight up until the lower lip clears the groove at the bottom of the scoreboard frame. With LED digits, be particularly careful not to bend the LEDs. Tilt the bottom of the digit away from the scoreboard frame, lower the digit until the top lip clears the scoreboard frame, and remove the digit.

Note: Do not allow digits to hang from their wiring! The best way to support temporarily removed digits is to turn the digit around and rest its lower lip in the weather shield groove on the scoreboard frame.

3. Once the appropriate digits are removed, carefully perform any other steps as described in this troubleshooting and service section for your particular problem.
4. Reinstall all removed digits by reversing the procedure in step 2, slide the weather shield back into place and re-install screws.

Removing/Replacing Digits

If you have spoken to Customer Service and need to return a digit to the factory for replacement or service, follow this procedure.

Removing a Digit

1. Remove the faulty digit, following the instructions for digit removal on page 5-3.
2. Next, remove the two right-most digits. The scoreboard control board is now exposed.
3. Disconnect the wires for the digit to be removed from the control board. The digit numbers are printed on the control board next to the corresponding connector. Digits are numbered from left to right, with the left-most digit designated number 1. If the digit has a decimal point, disconnect the wires from the smaller connector to the left of the digit connector.
4. Remove the digit and gently pull its wiring harness out from behind the remaining digits.

5. Carefully pack the digit in shock-absorbing material in a good-quality box for shipment to the factory. You will void the warranty if the components are damaged in shipment because of improper packaging.
6. Re-install the two right-most digits, slide the weather shield back into place and re-install screws.
7. Repeat steps 1-6 to remove digits from other scoreboard display lines.

Installing a Digit

1. Remove the two screws and slide the weather shield to the right or left until the space where the digit to be installed is exposed.
2. Remove the two right-most digits, following the instructions for digit removal on page 5-3. The scoreboard control board is now exposed.
3. Rest the new digit in the weather shield groove while you route its wiring harness to the control board.
4. To route the new digit's wiring harness to the control board, lift the first digit to the right of the new digit until its lower lip clears the groove in the scoreboard frame. Swing the bottom of the digit out until you can put the wiring harness behind it. Swing the digit back until its lip lines up with the groove in the scoreboard frame and lower the digit into place.
5. Repeat step 4 until you have routed the new digit's wiring harness to the control board.
6. Attach the new digit's main connector to the appropriate digit connector on the control board. The number on the tab on the wiring harness and on the control board next to the digit connector should agree.
7. If the digit has a decimal, attach the smaller, decimal connector to the smaller connector to the left of the digit connector.
8. Repeat steps 3 through 7 for any other digits to be replaced on that same scoreboard line.
9. Re-install the two right-most digits, slide the weather shield back into place and reinstall screws.
10. Repeat steps 1-9 to install any other digits in other scoreboard lines.
11. Test your scoreboard to make sure the newly installed digits work.

Removing/Replacing Scoreboard Control Board

If a control board in one of your scoreboard display lines fails, you will need to remove it and return it to the factory for repair or replacement. If you have to replace a control board, follow this procedure carefully.

Removing the Control Board

Note: Before removing or replacing a control board, unplug the scoreboard display line(s) you will be working on.

1. The control board is behind two of the scoreboard's digits:
 - Older 8-digit LED: digits 7 and 8 (the rightmost digits)
 - Newer 8-digit LED and 10-digit LED: digits 4 and 5 (the center digits)

Remove the two digits covering your control board, following the instructions for digit removal on page 5-3. The control board is now exposed.

2. Detach all digit, decimal, and colon connectors from the control board.
3. Remove all power and other connectors from the control board.
4. Detach the control board from the frame.

The control board is attached with screws. Remove these screws, and keep them in a safe place until ready to put a control board back in.

5. Take the control board out of the scoreboard frame.
6. Carefully pack the control board in shock-absorbing material in a good quality box for shipment to the factory. You will void the warranty if the components are damaged in shipment because of improper packaging.
7. Re-install the two digits, slide the weather shield back into place and reinstall screws.

Installing Control Board

Note: Before removing or replacing a control board, unplug the scoreboard display line(s) you will be working on.

1. The control board goes behind two of the scoreboard's digits:
 - Older 8-digit LED: digits 7 and 8 (the rightmost digits)
 - Newer 8-digit LED and 10-digit LED: digits 4 and 5 (the center digits)

Remove the two digits covering your control board, following the instructions for digit removal on page 5-3. The control board location is now exposed.

2. Re-attach the control board to the frame.

The control board is attached with screws; screw it back in.

3. Attach all power, digit, decimal, and colon connectors to the new control board. The digit connectors on the control board and wiring harnesses are numbered. Make sure the

numbers match when you connect them. If this scoreboard display line has a colon, attach the colon connector to the decimal connector of digit #5.

4. Re-install all digits, slide the weather shield into place and re-install screws.
5. Test your scoreboard to make sure the new control board is properly installed.

Control Board Test

1. Plug scoreboard display line with new control board into power outlet.
2. Scoreboard will light all digits for 10 seconds and then the firmware version number and then the module code to which it is set. Send data to the scoreboard module to complete the test. If you do not send any data, the module code continues to be displayed.



Customer Service Department
www.coloradotime.com
Email: support@coloradotime.com
Phone: +1 970-667-1000
Toll Free U.S. and Canada 800-287-0653
Fax: +1 970-667-1032